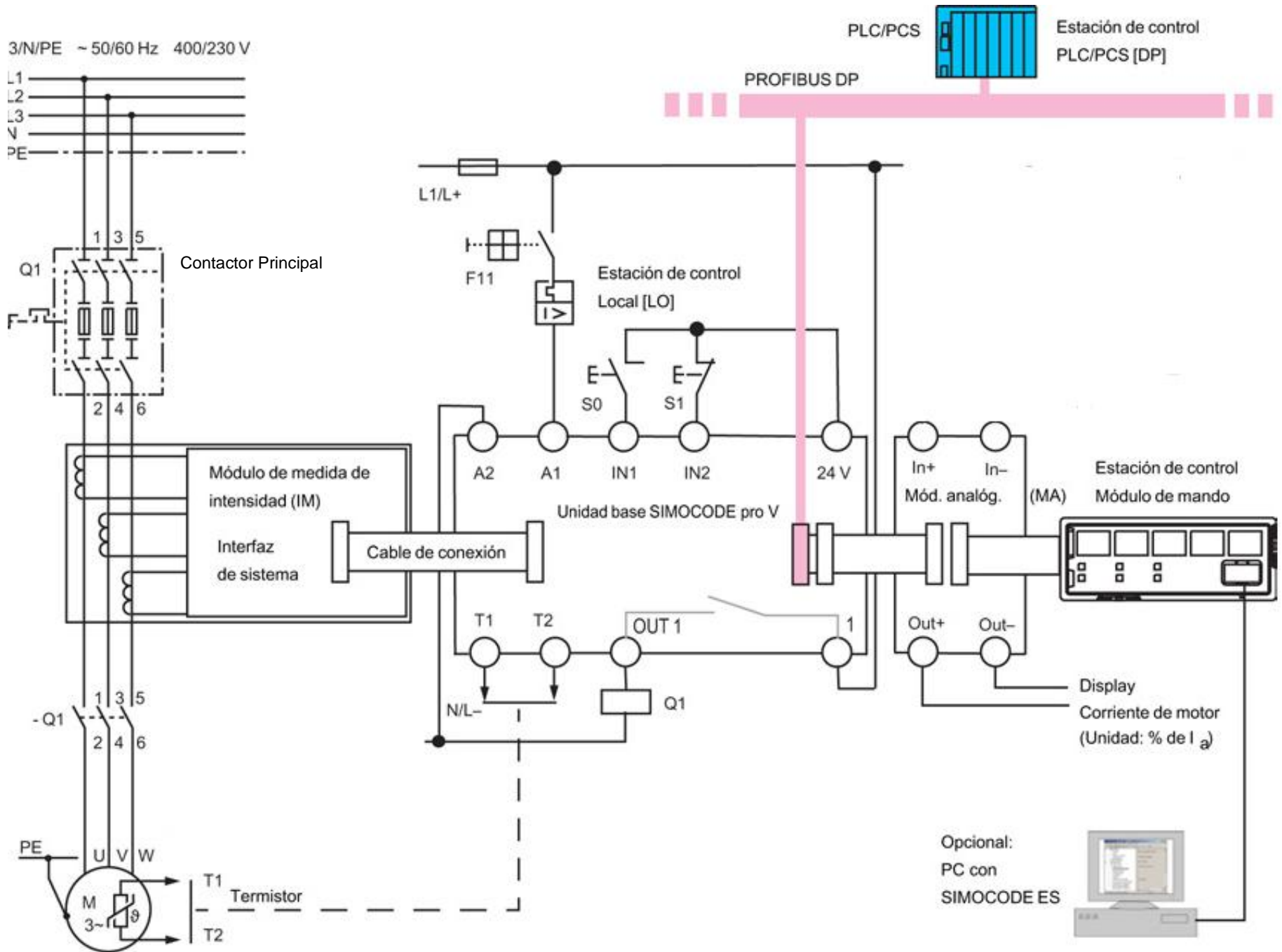
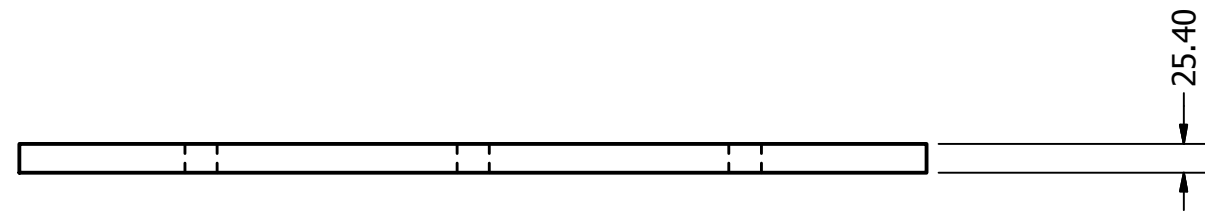
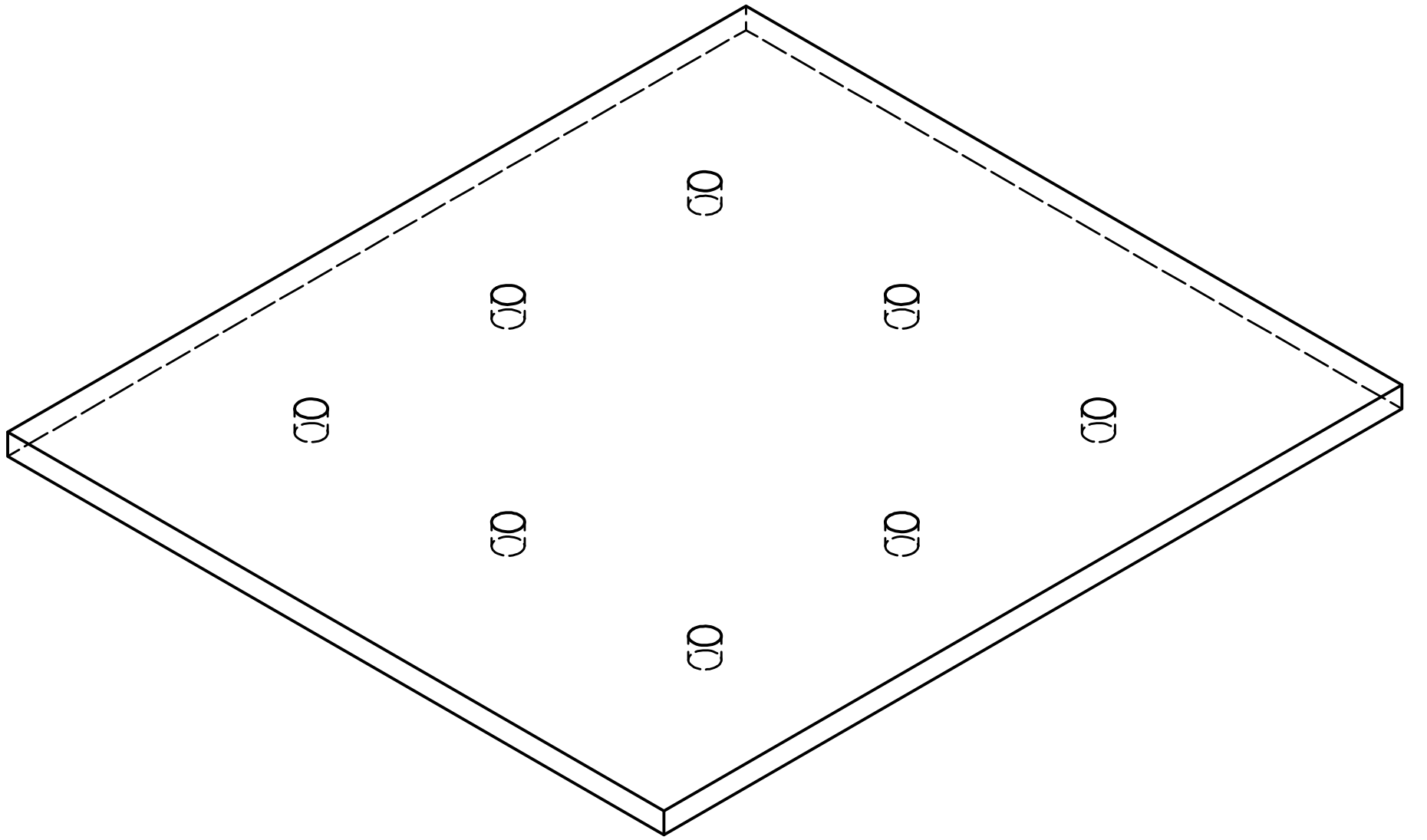
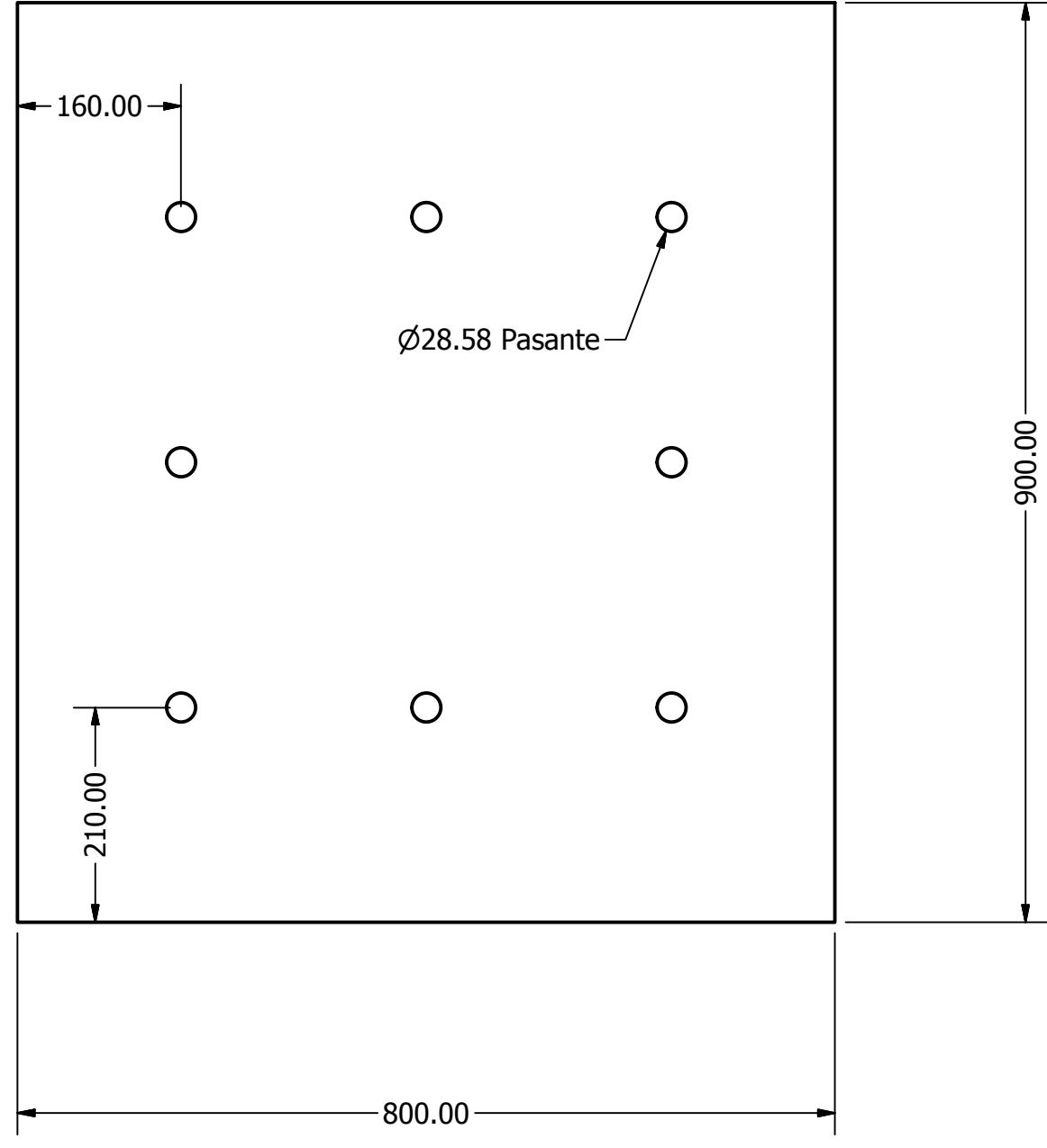
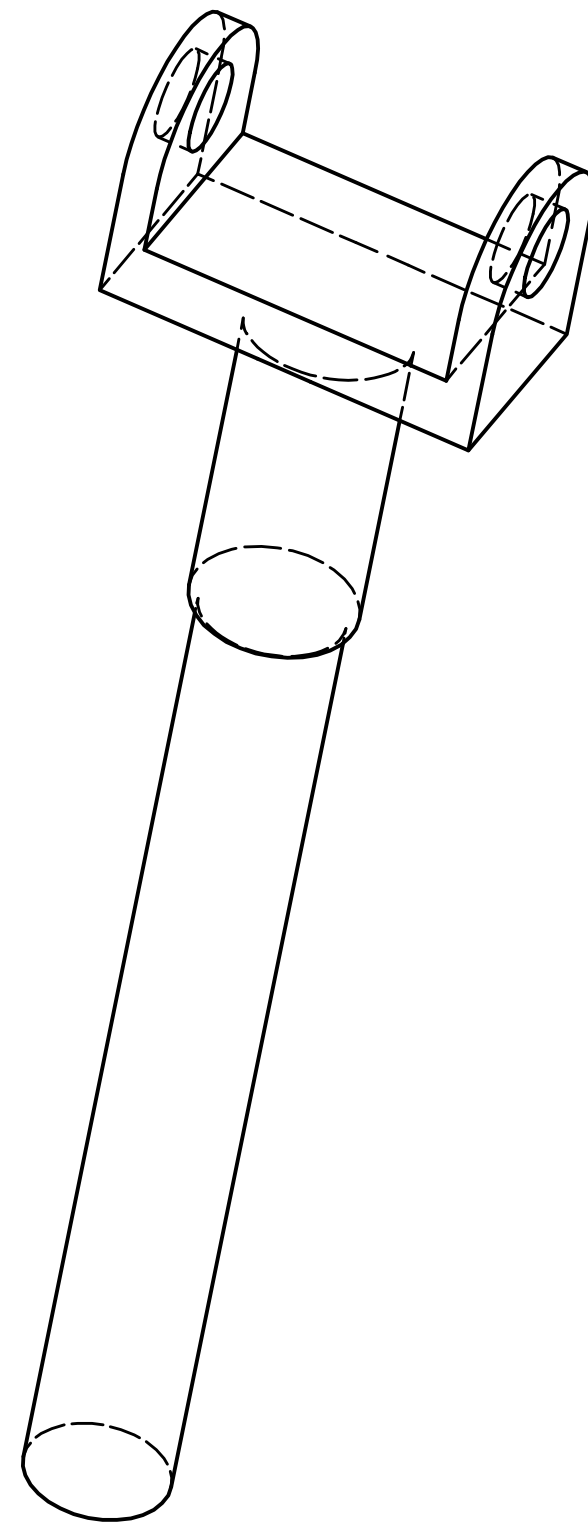
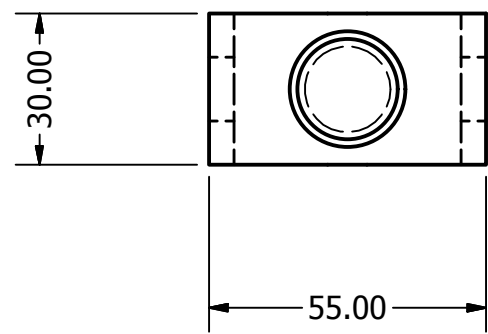
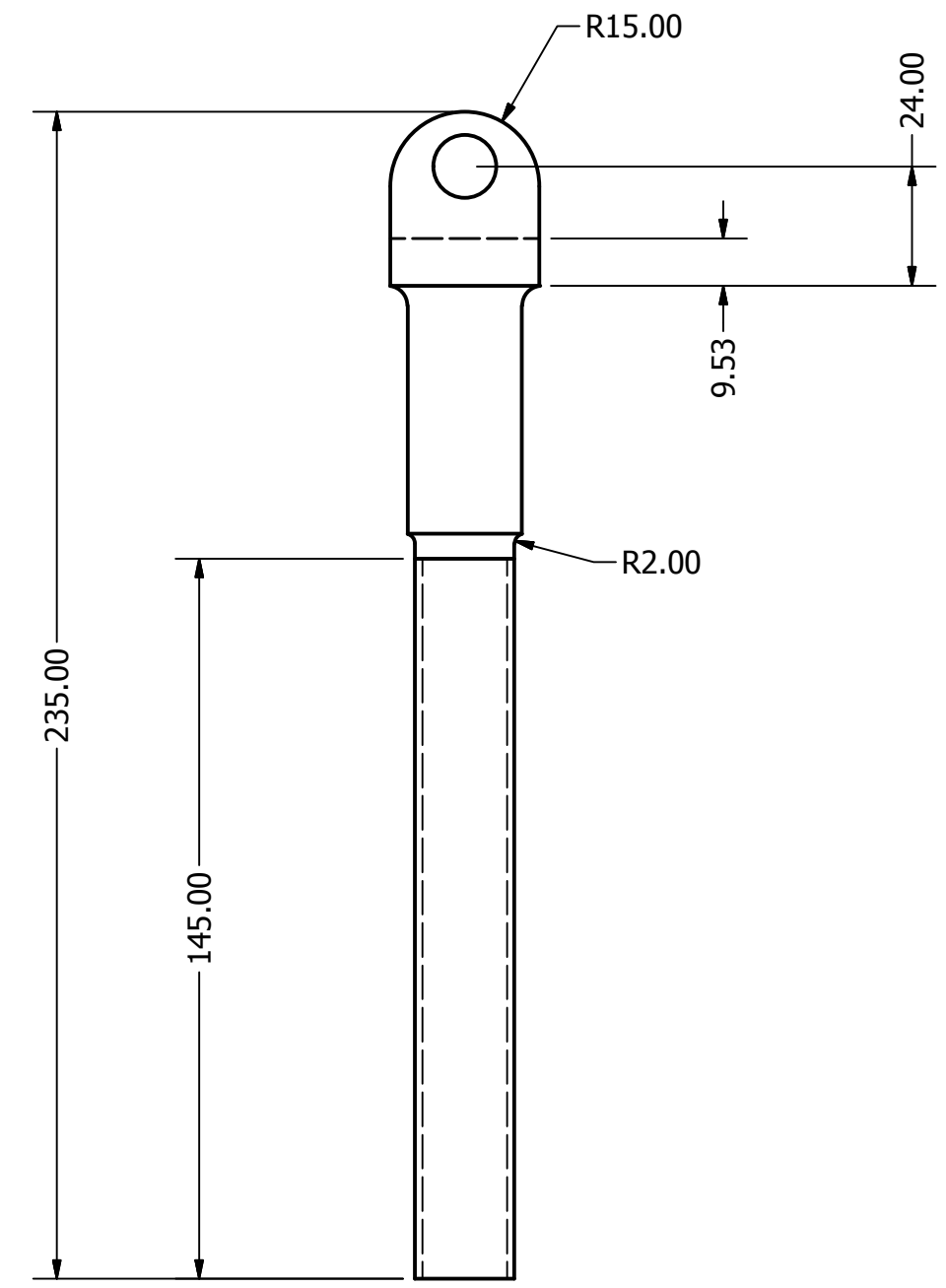
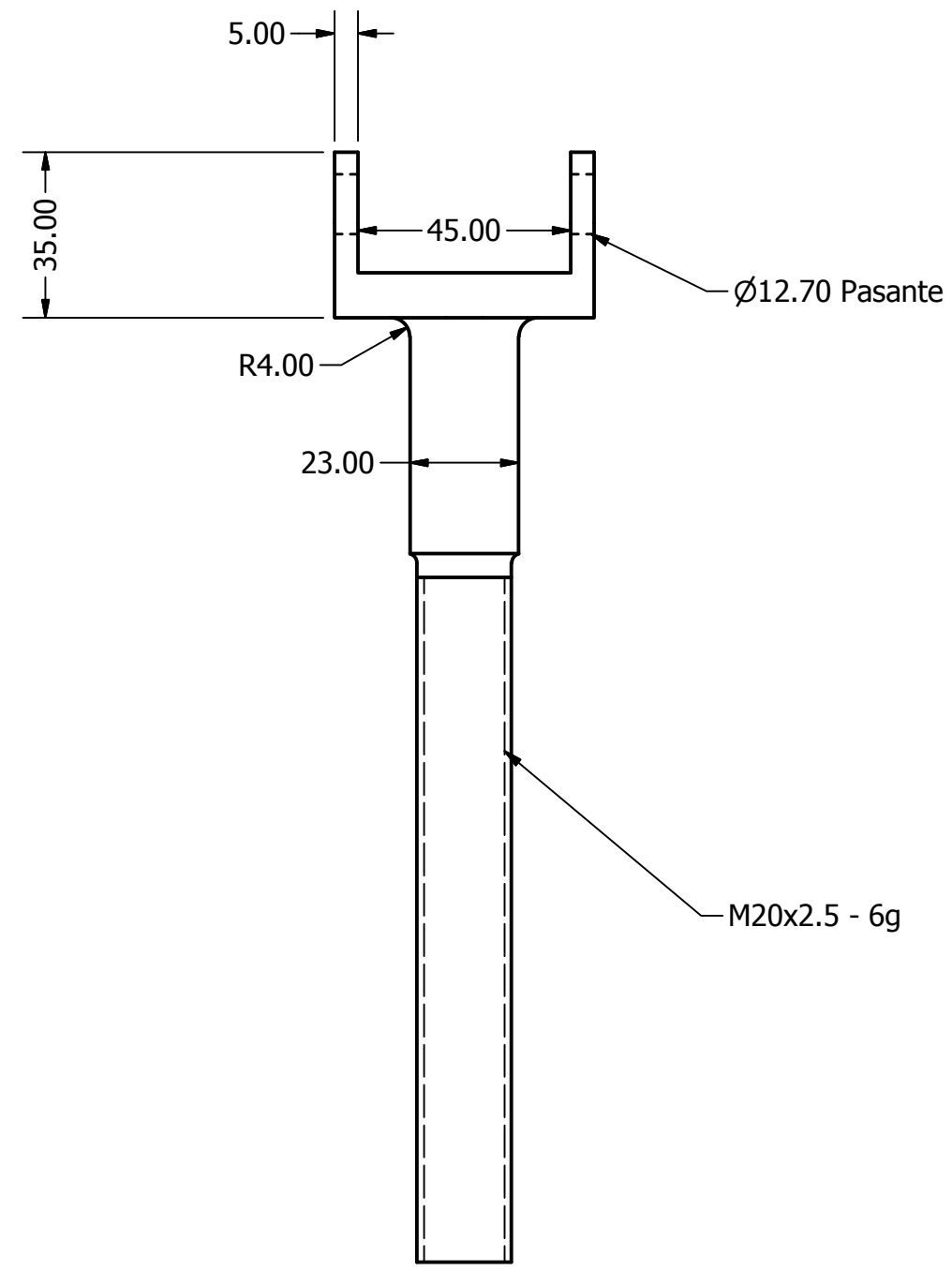


Anexo "C"- C20

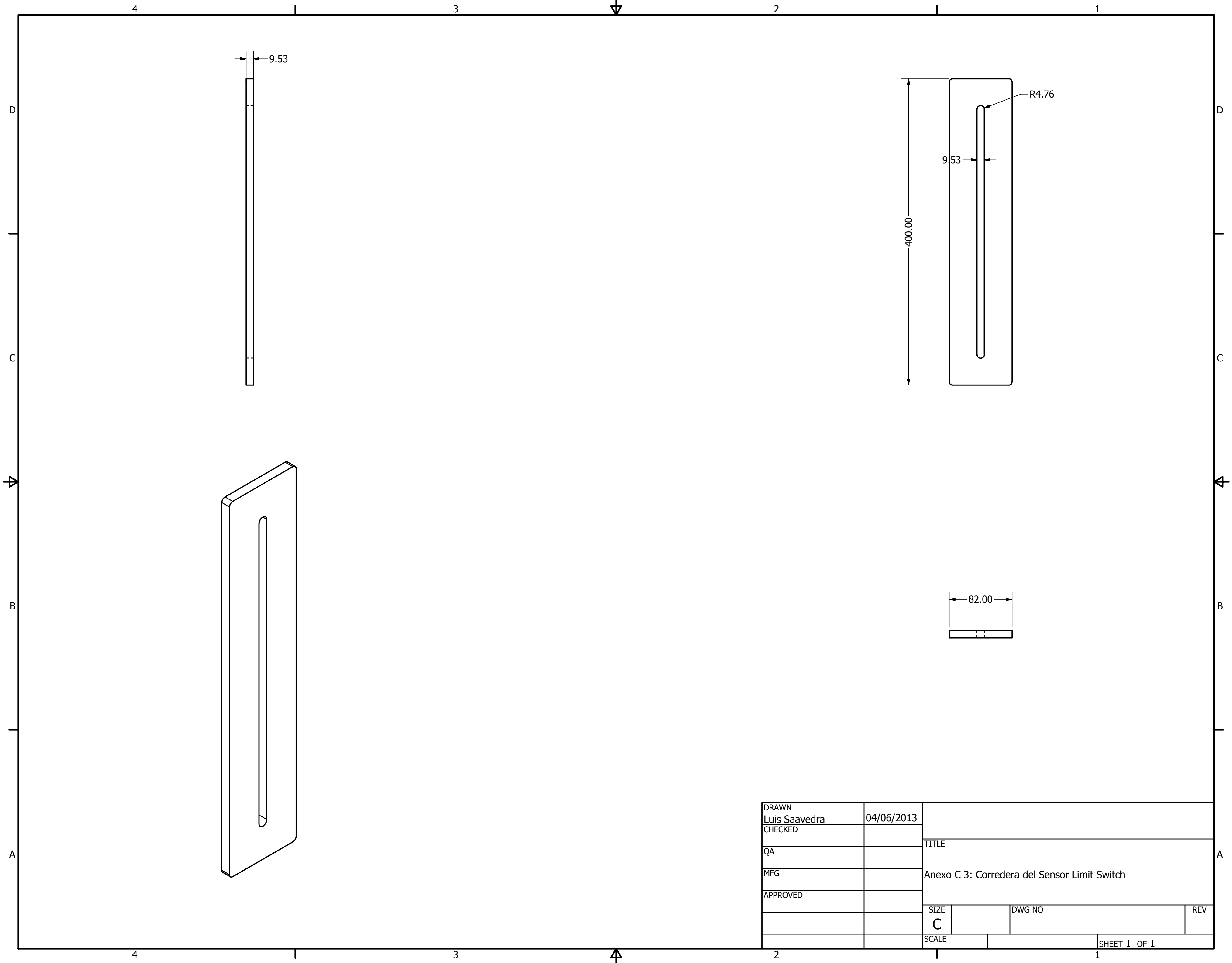




DRAWN Luis Saavedra	02/08/2013	TITLE Anexo C 15: Plancha Base Inferior		
CHECKED				
QA				
MFG				
APPROVED		SIZE C	DWG NO	REV
		SCALE	SHEET 1 OF 1	



DRAWN Luis Saavedra	25/06/2013			
CHECKED		TITLE		
QA		Anexo C 13: Tensor Acople Cadena		
MFG		SIZE	DWG NO	REV
APPROVED		C		
		SCALE	SHEET 1 OF 1	



DRAWN	Luis Saavedra	04/06/2013		
CHECKED			TITLE	
QA			Anexo C 3: Corredera del Sensor Limit Switch	
MFG			SIZE	DWG NO
APPROVED			C	REV
			SCALE	SHEET 1 OF 1

D

C

B

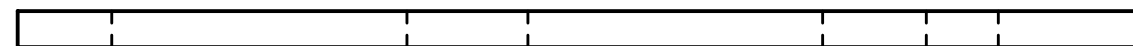
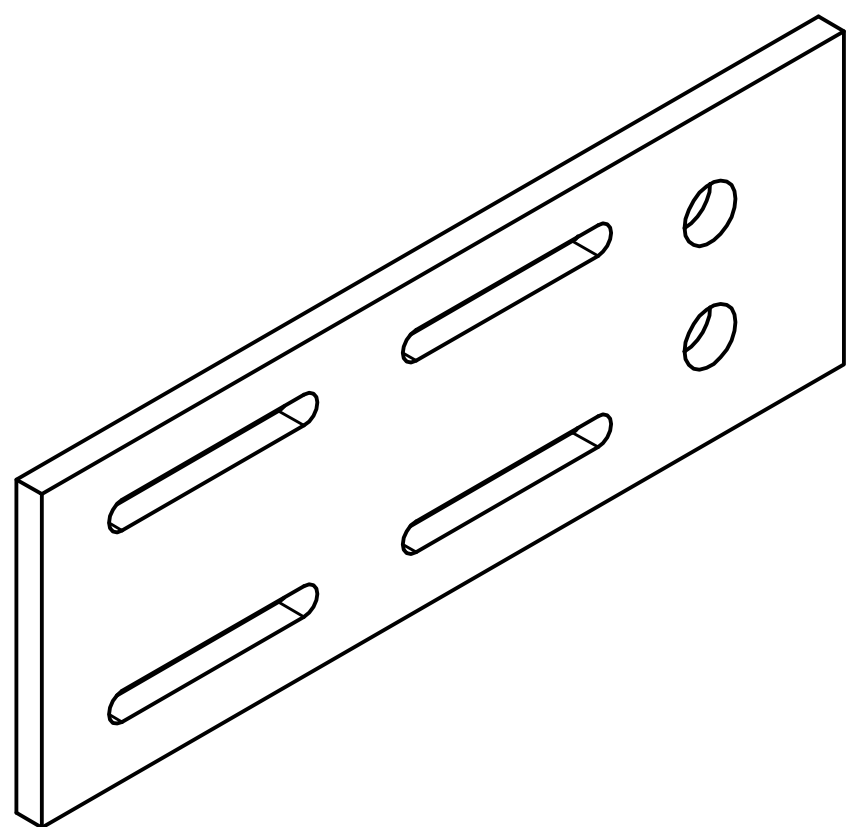
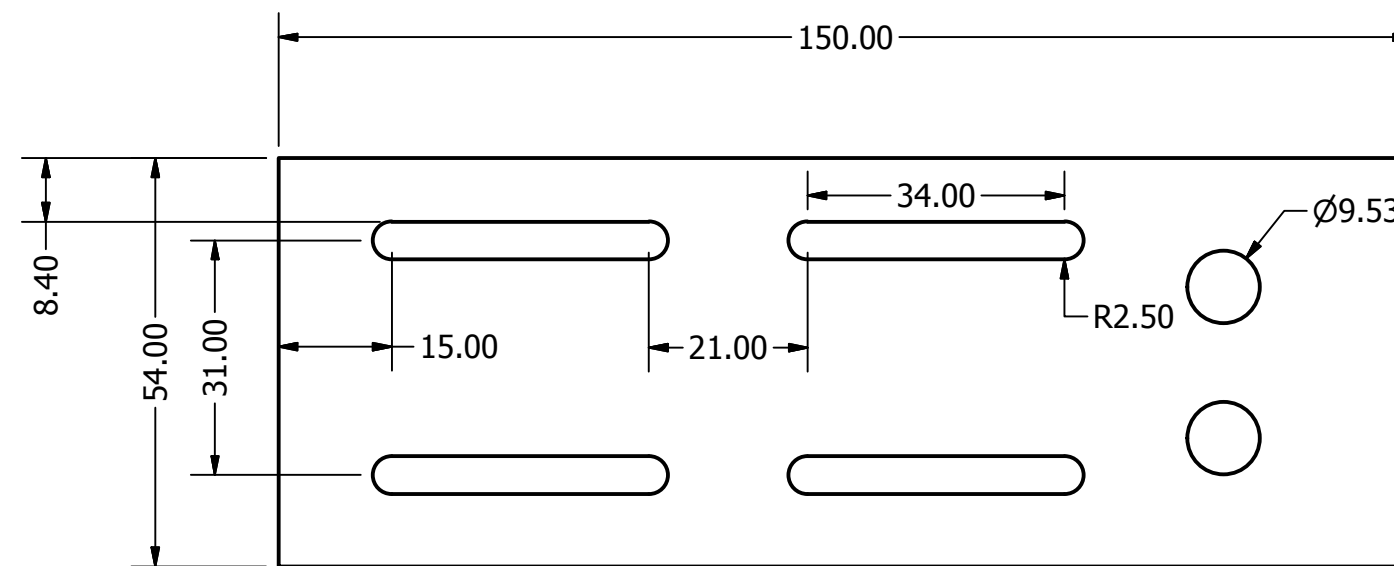
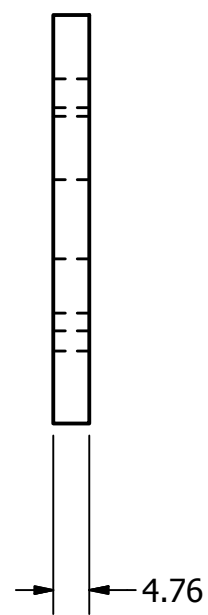
A

4

3

2

1



DRAWN Luis Saavedra	04/06/2013			
CHECKED		TITLE		
QA		Anexo C 16: Corredera Horizontal del Limit Switch		
MFG		SIZE	DWG NO	REV
APPROVED		C		
		SCALE	SHEET 1 OF 1	

D

C

B

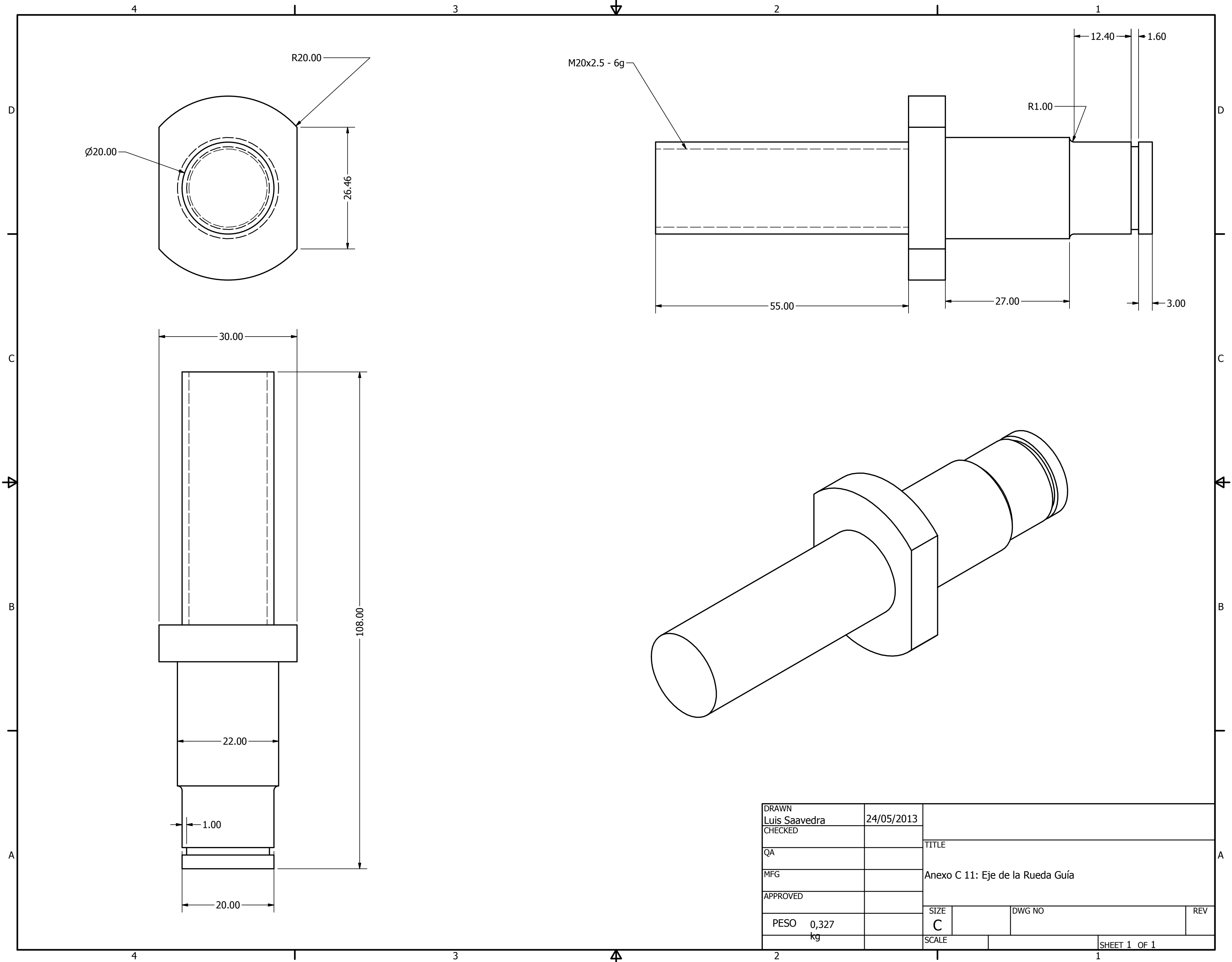
A

4

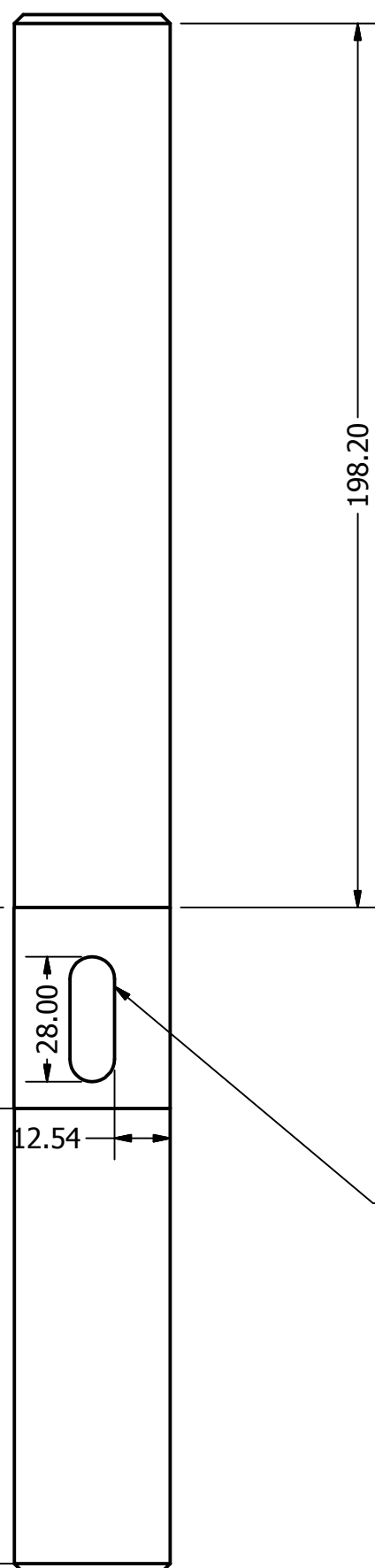
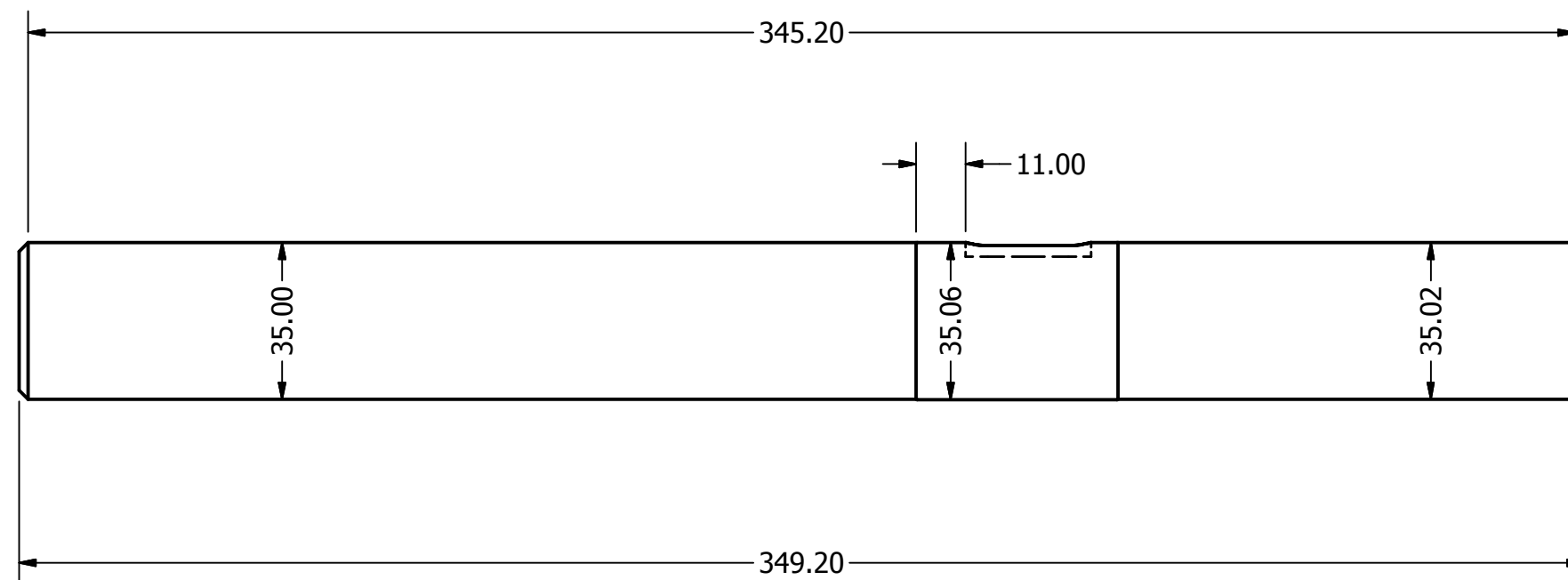
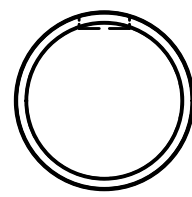
3

2

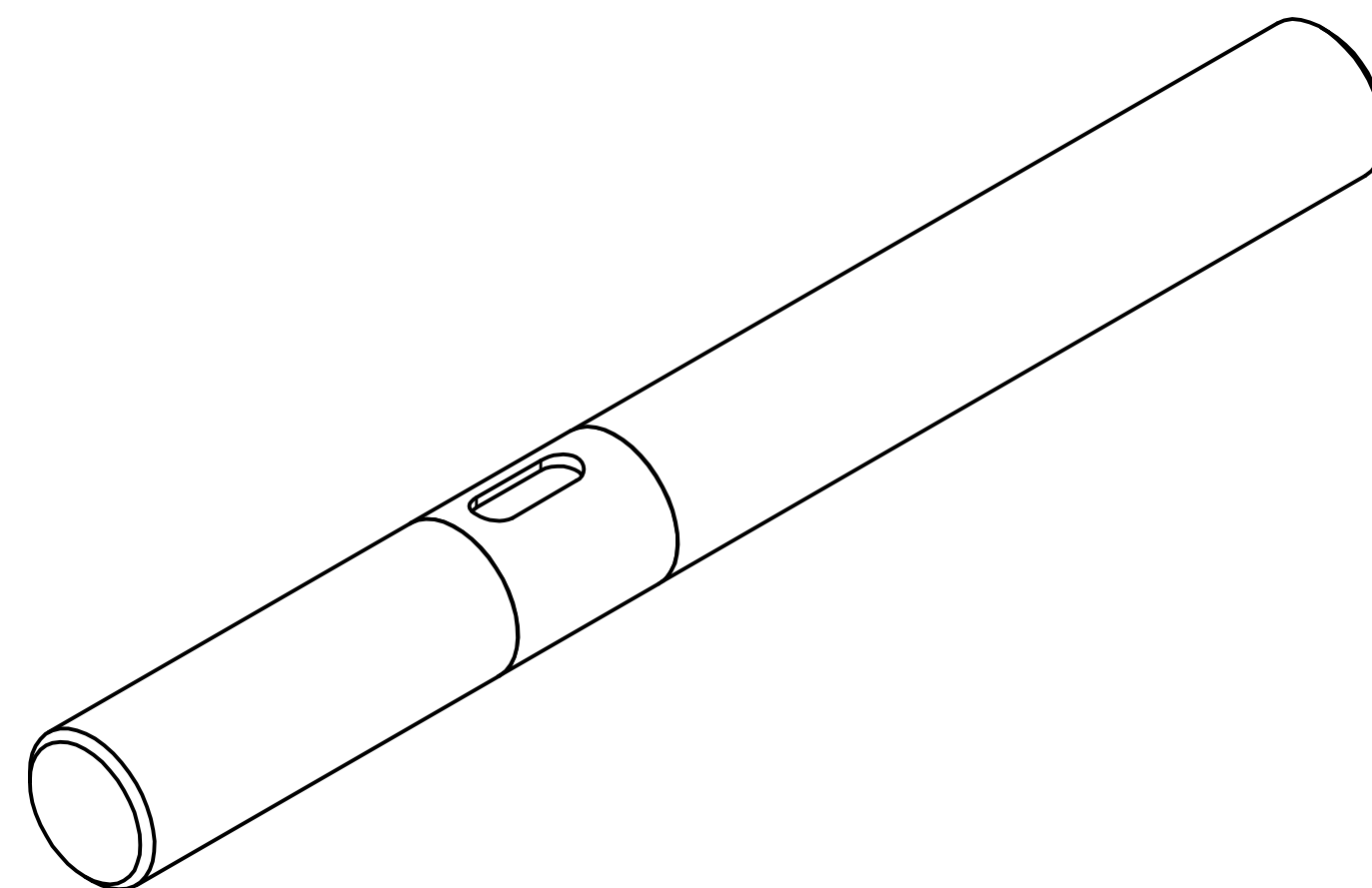
1



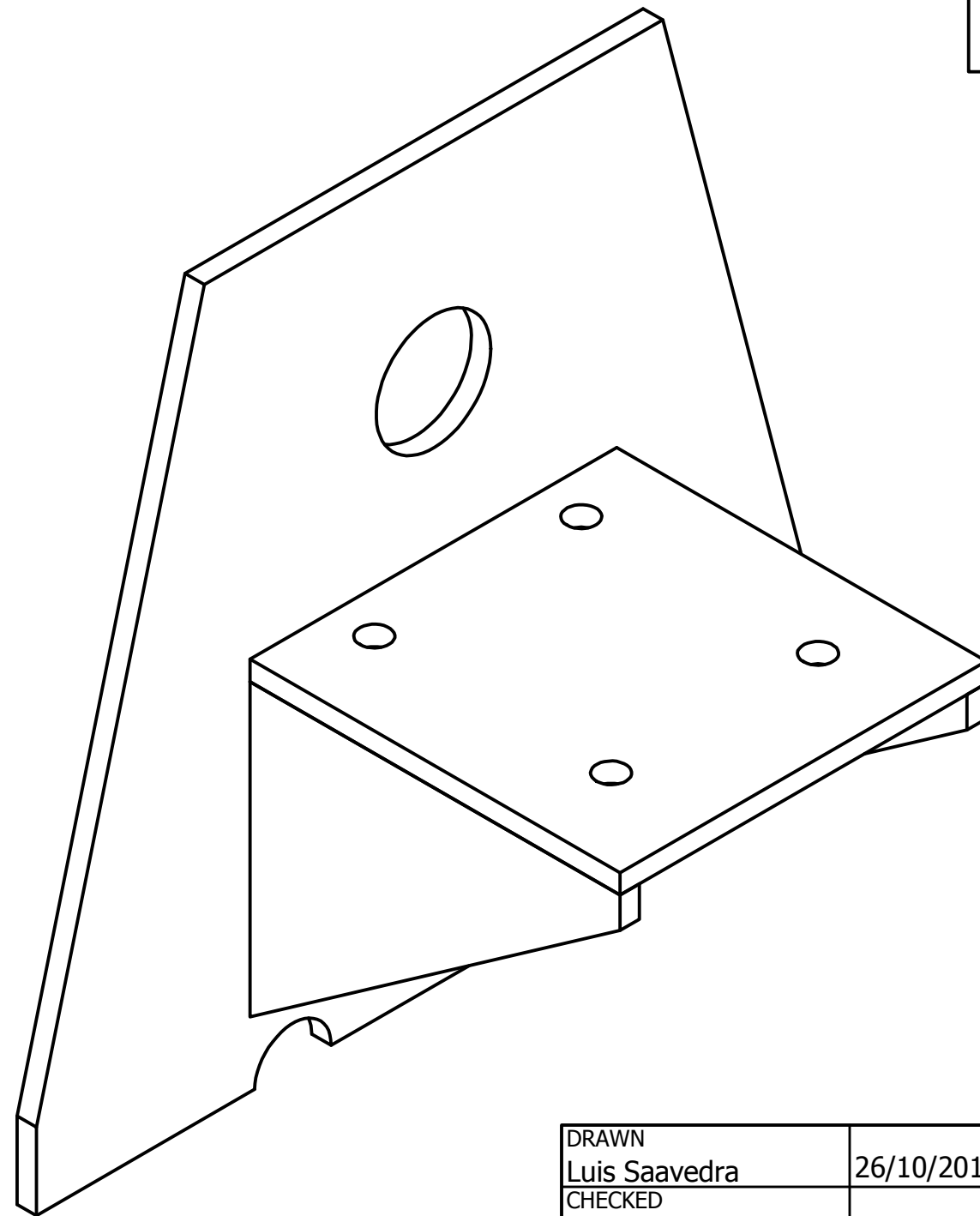
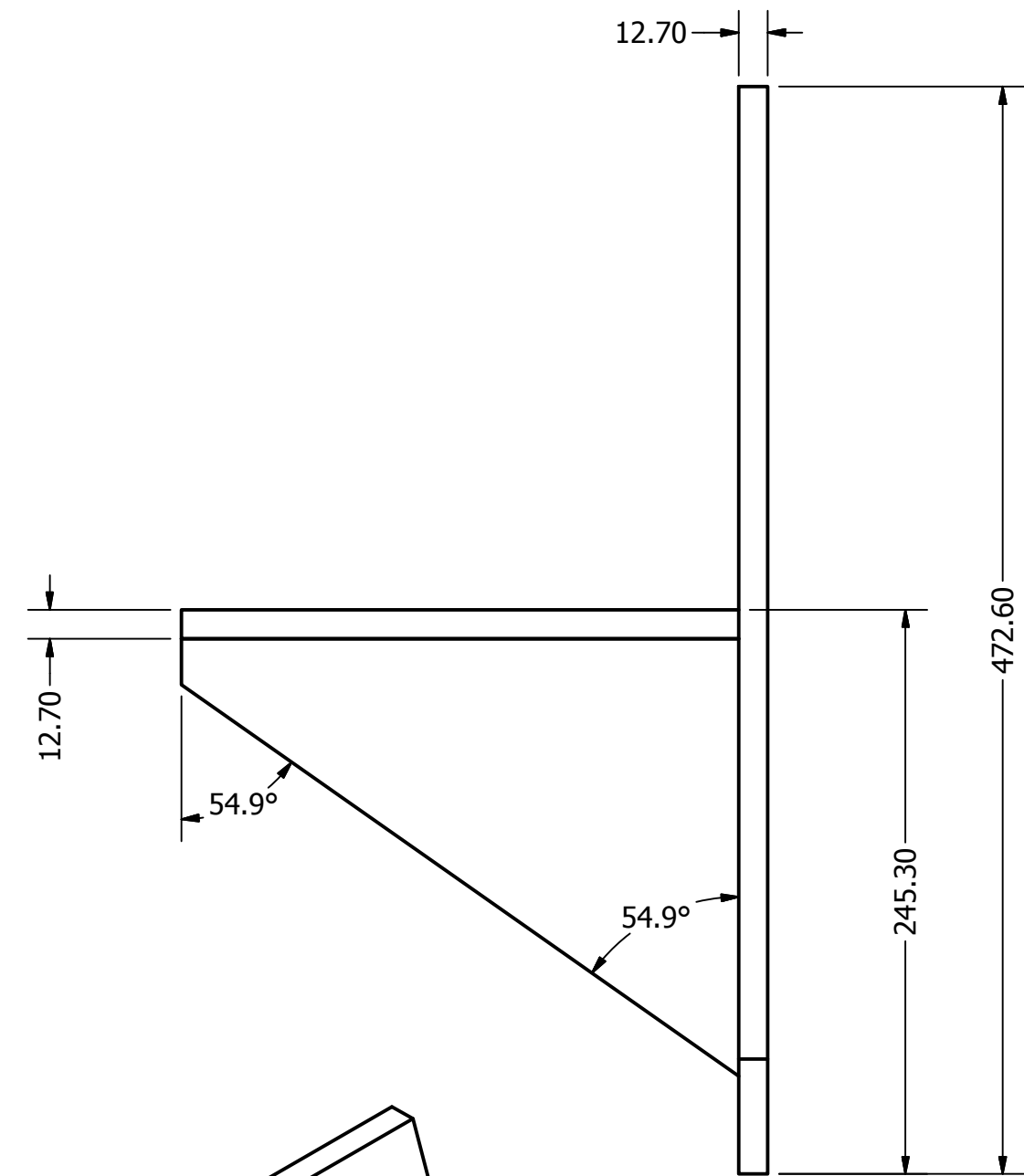
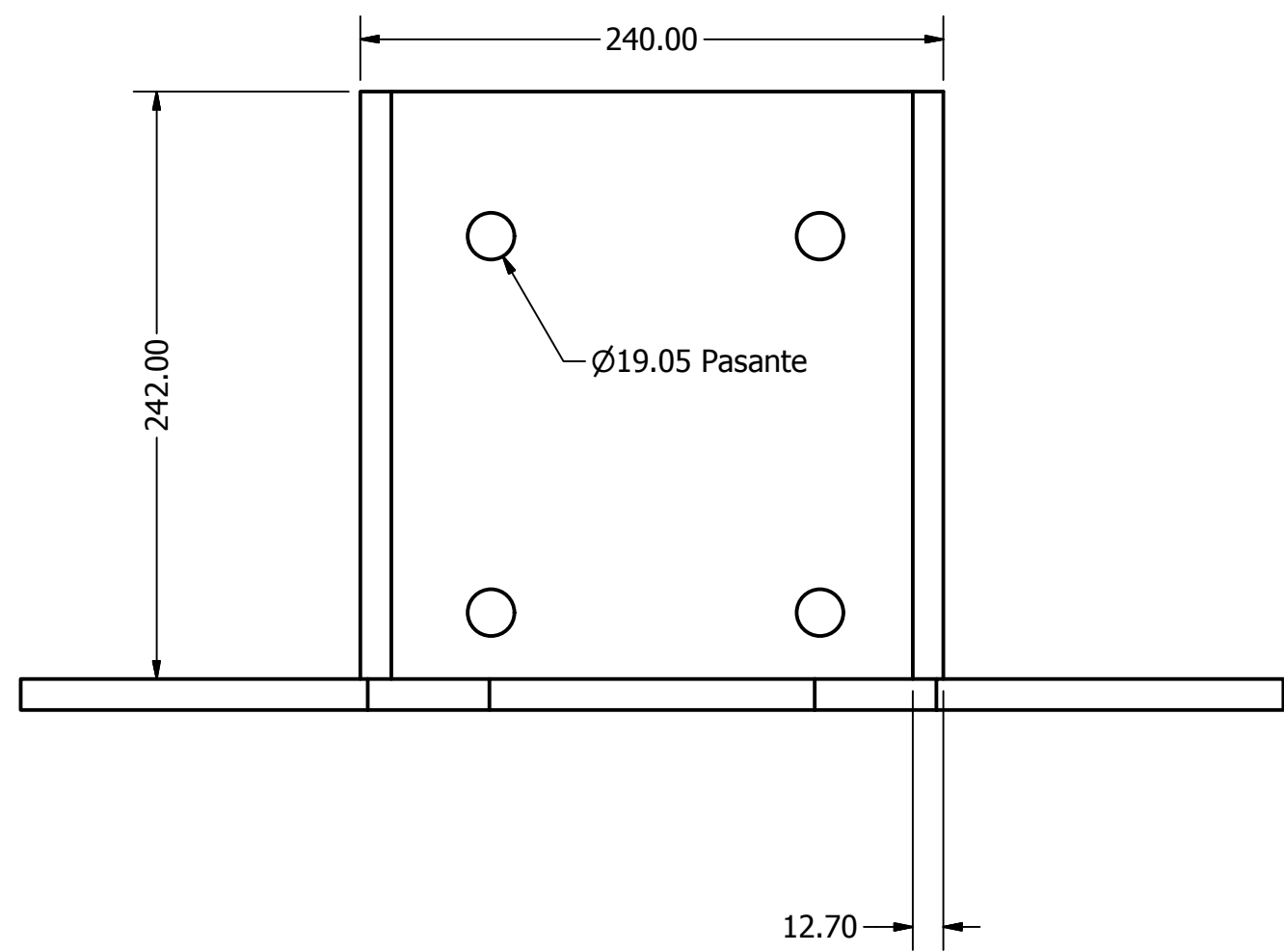
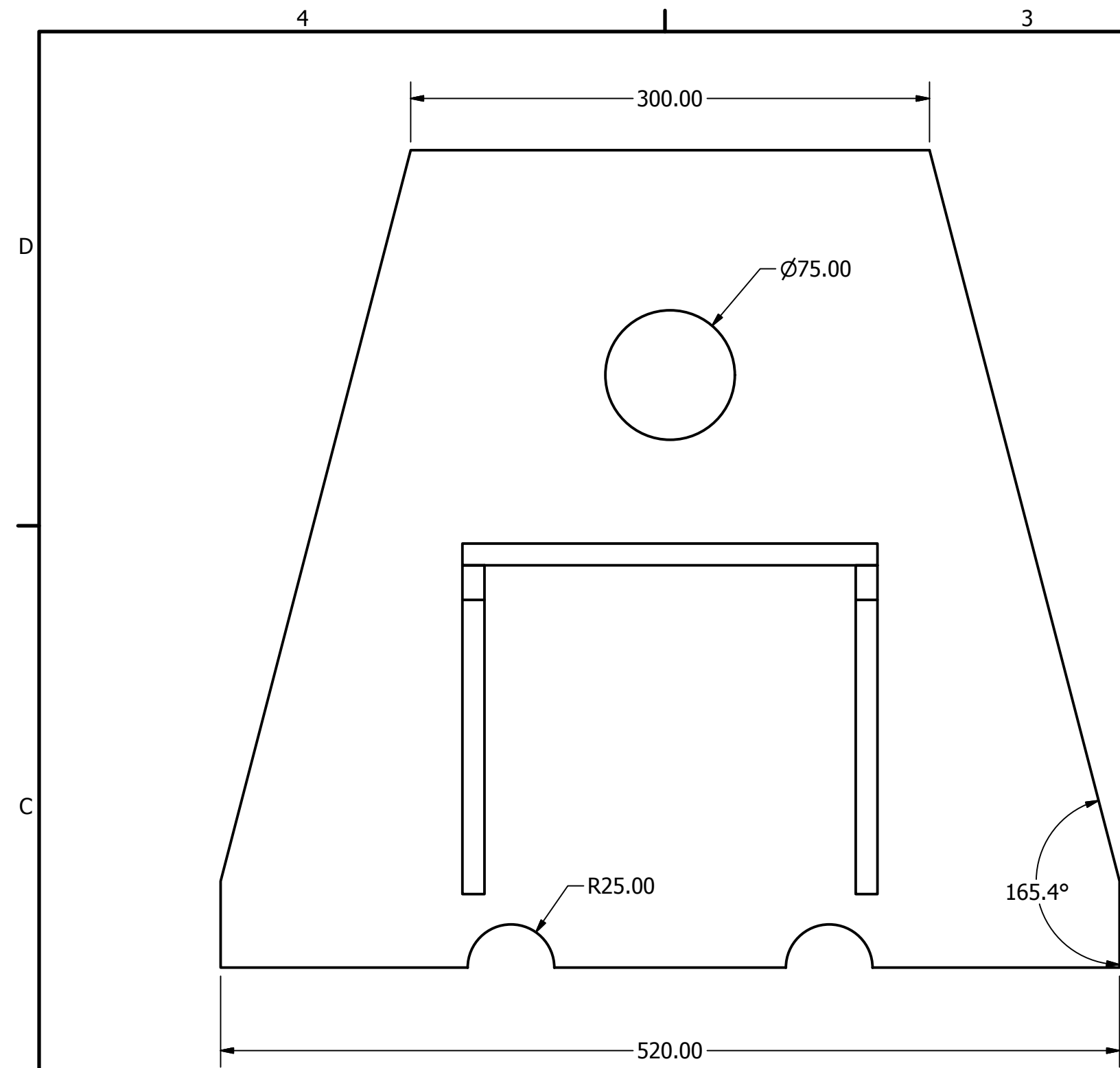
DRAWN	Luis Saavedra	24/05/2013	TITLE		
CHECKED			Anexo C 11: Eje de la Rueda Guía		
QA			SIZE	DWG NO	REV
MFG			C		
APPROVED			SCALE	SHEET 1 OF 1	
PESO	0,327				
	kg				



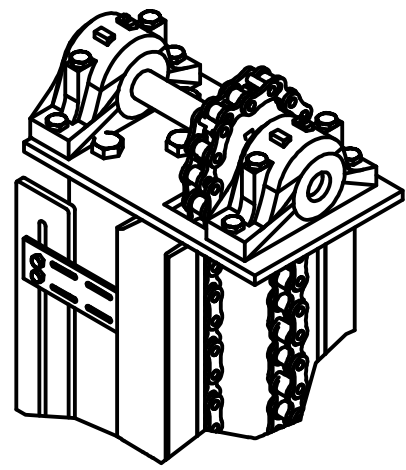
Chaveta 10 x 8



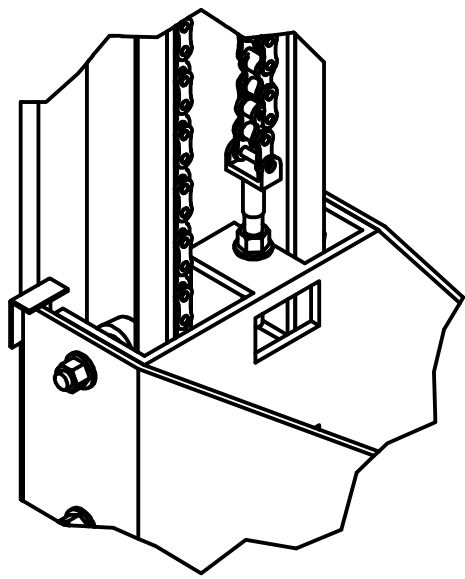
DRAWN	Luis Saavedra	30/05/2013			
CHECKED					
QA			TITLE		
MFG			Anexo C 2: Eje Superior		
APPROVED			SIZE	DWG NO	REV
			C		
			SCALE		SHEET 1 OF 1



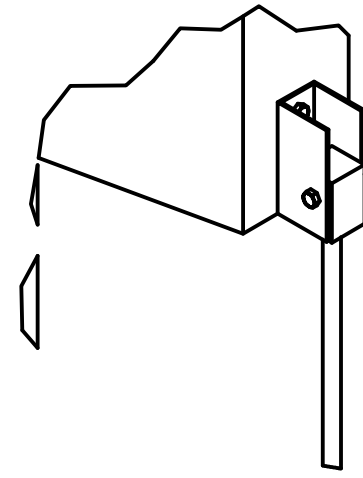
DRAWN	Luis Saavedra	26/10/2013			
CHECKED			TITLE		
QA			Anexo C 5: Pieza Frontal del Motor y Base del Motor		
MFG			SIZE	DWG NO	REV
APPROVED			C		
			SCALE		SHEET 1 OF 1



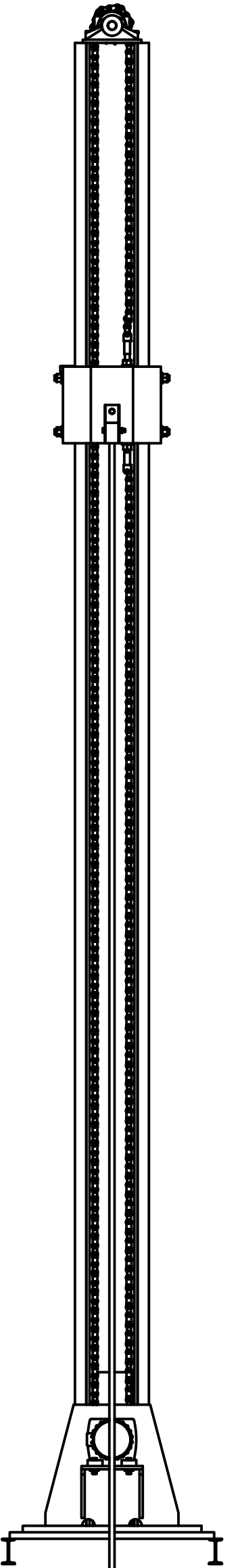
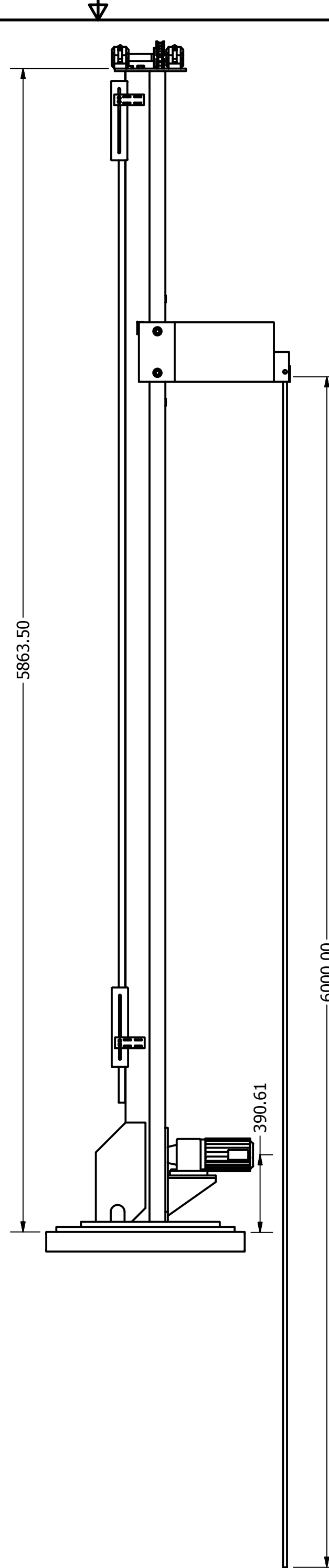
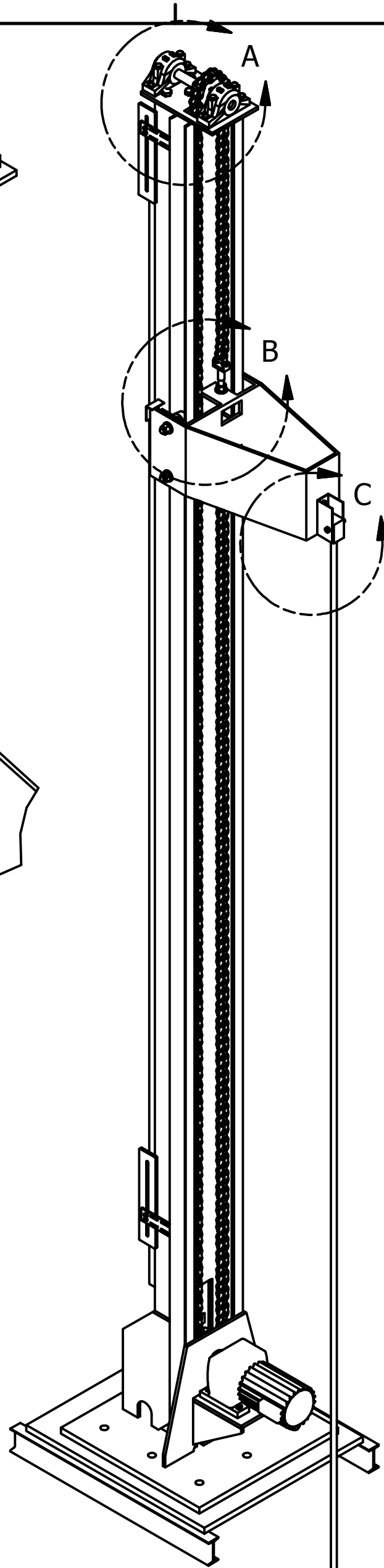
DETALLE A
ESCALA 0,12 : 1



DETALLE B
ESCALA 0,12 : 1



DETALLE C
ESCALA 0,12 : 1



DRAWN Luis Saavedra	26/10/2013		
CHECKED		TITLE	
QA		Anexo C 19: Ensamblaje Máquina de Sondeo	
MFG		SIZE C	DWG NO
APPROVED		SCALE	REV
		SHEET 1 OF 1	

4

3

2

1

D

D

C

C

B

B

B

B

A

A

9.53

511.86

102.4°

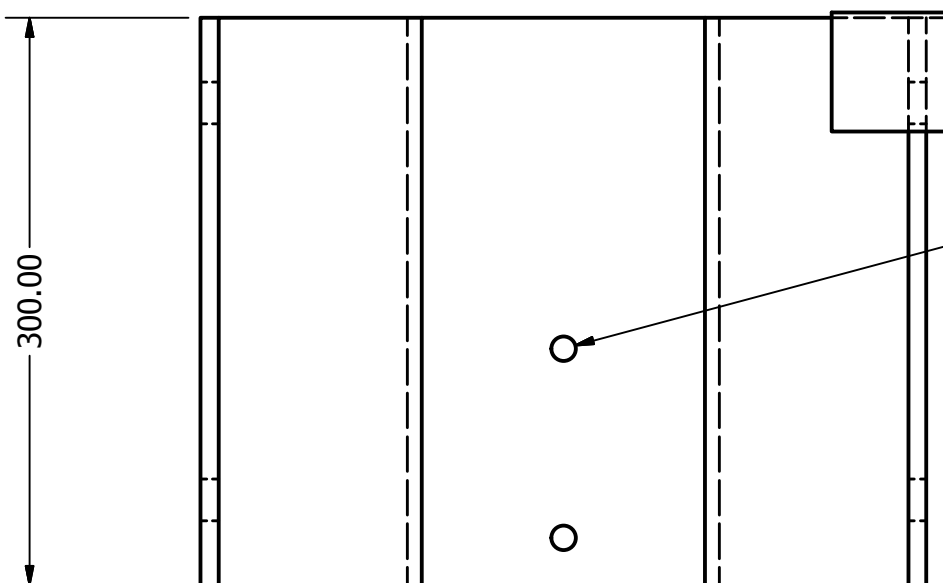
165.00

500.00

160.00

680.00

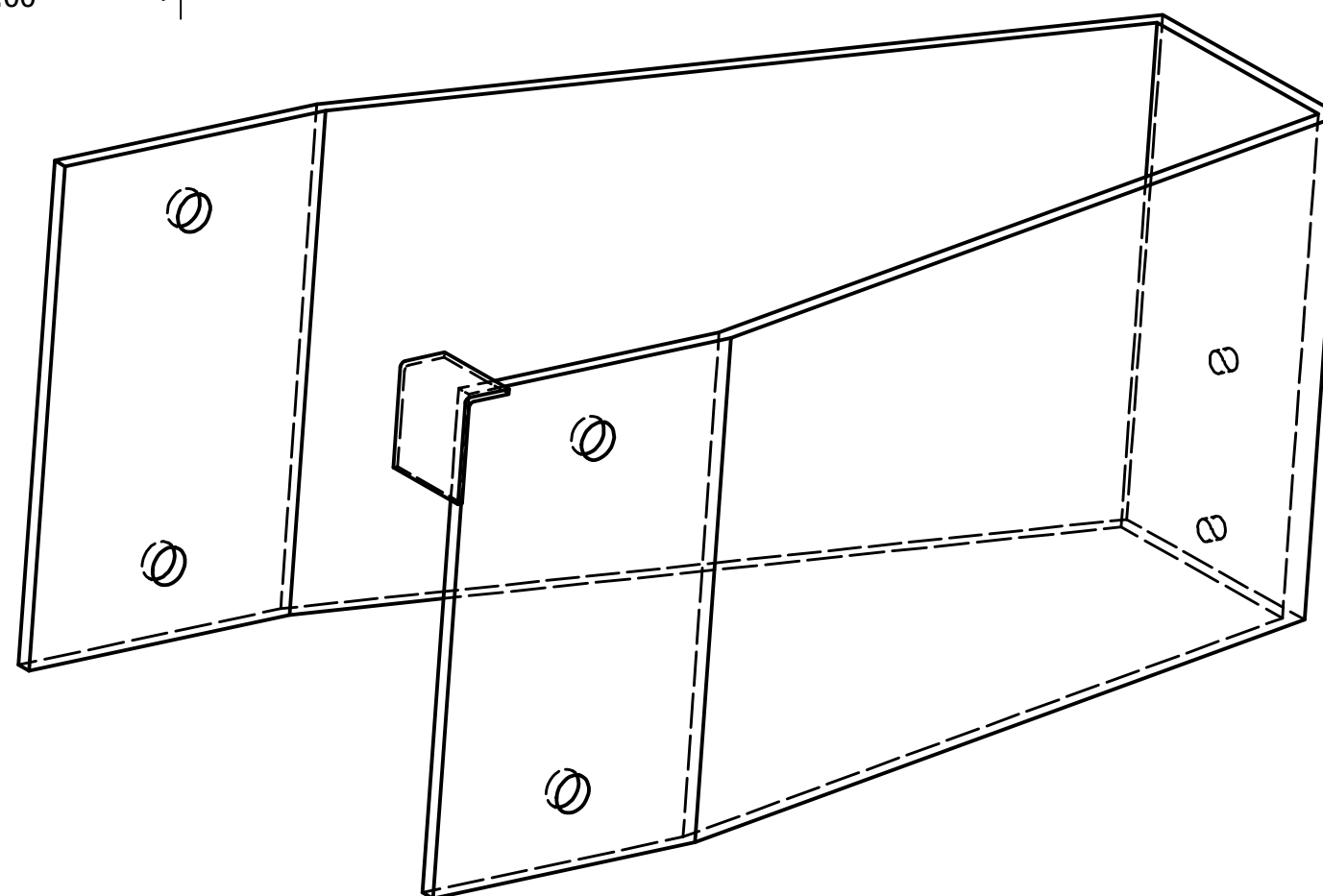
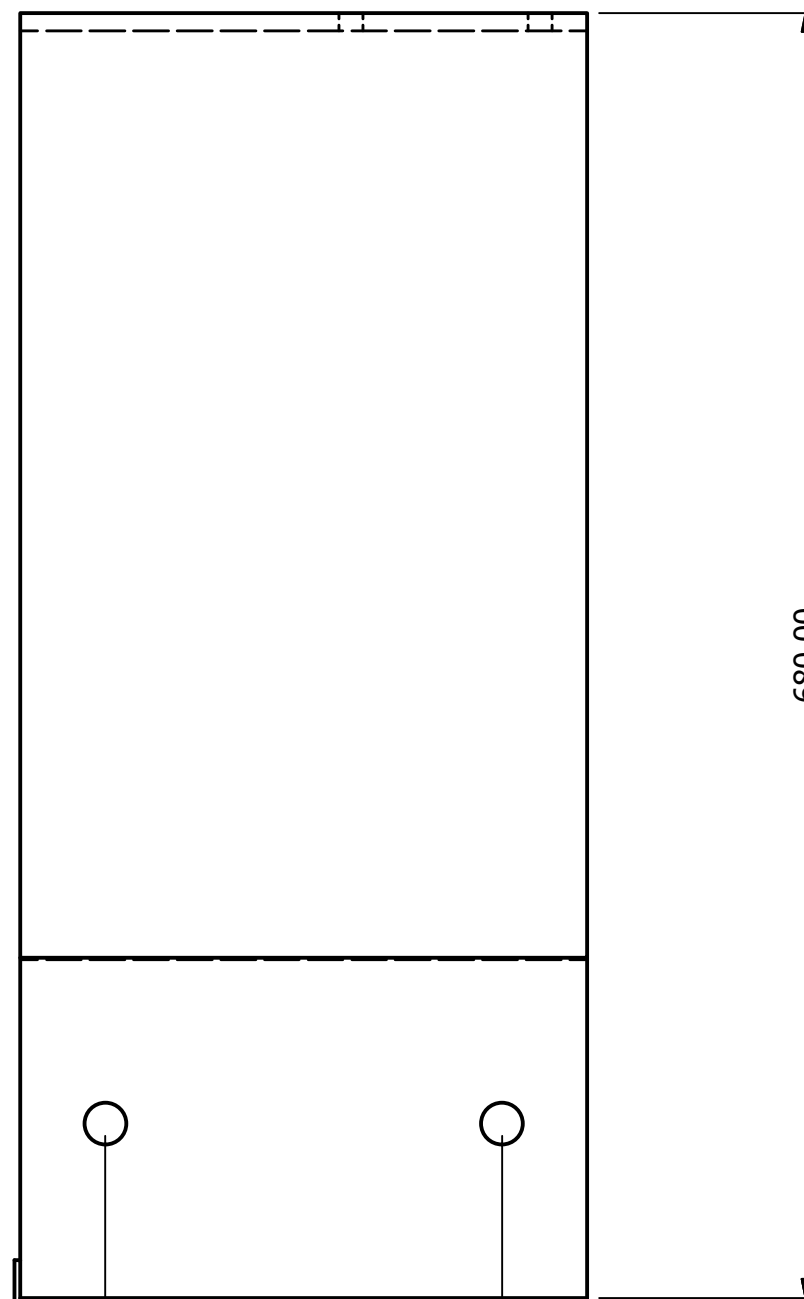
210.00



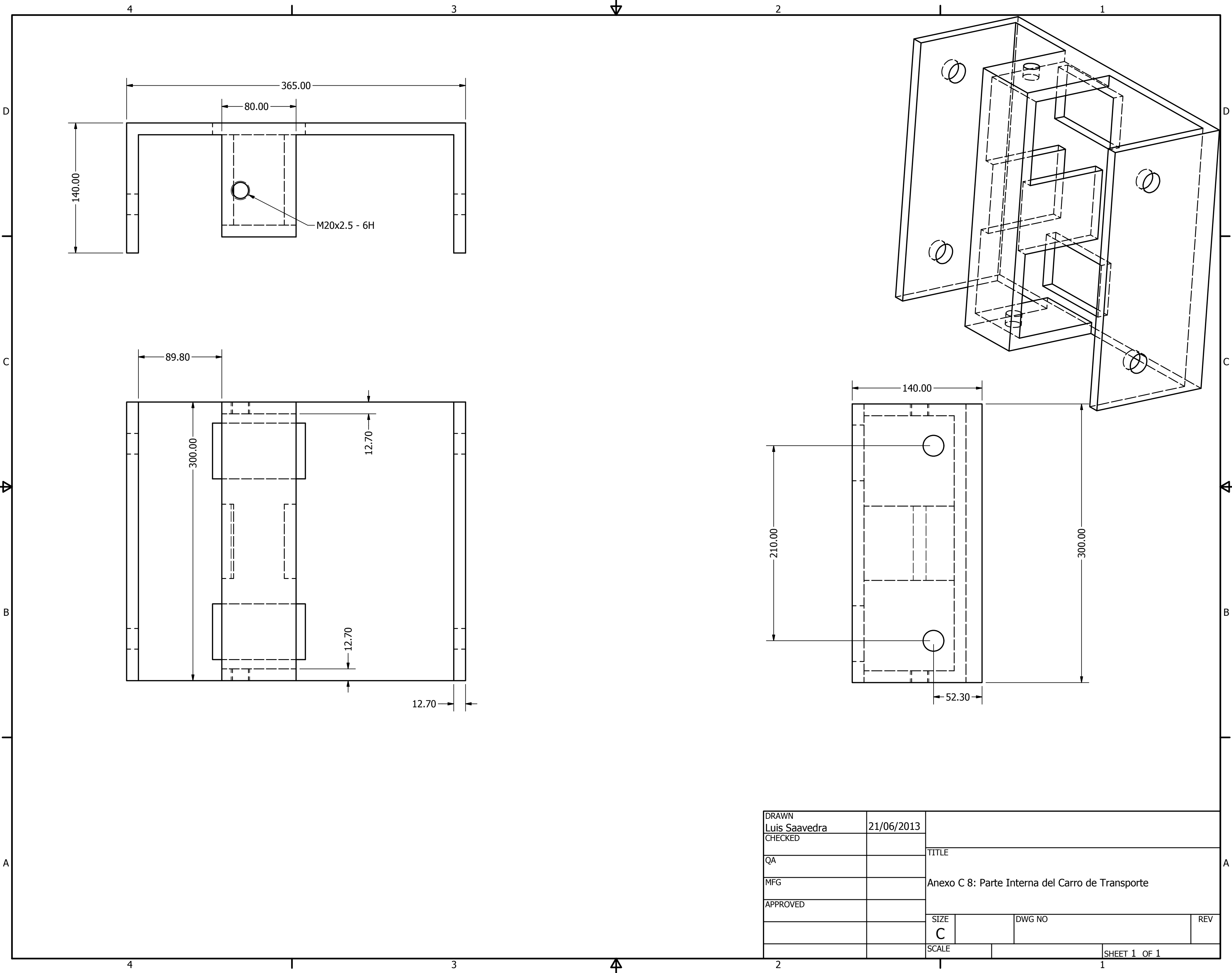
300.00

384.05

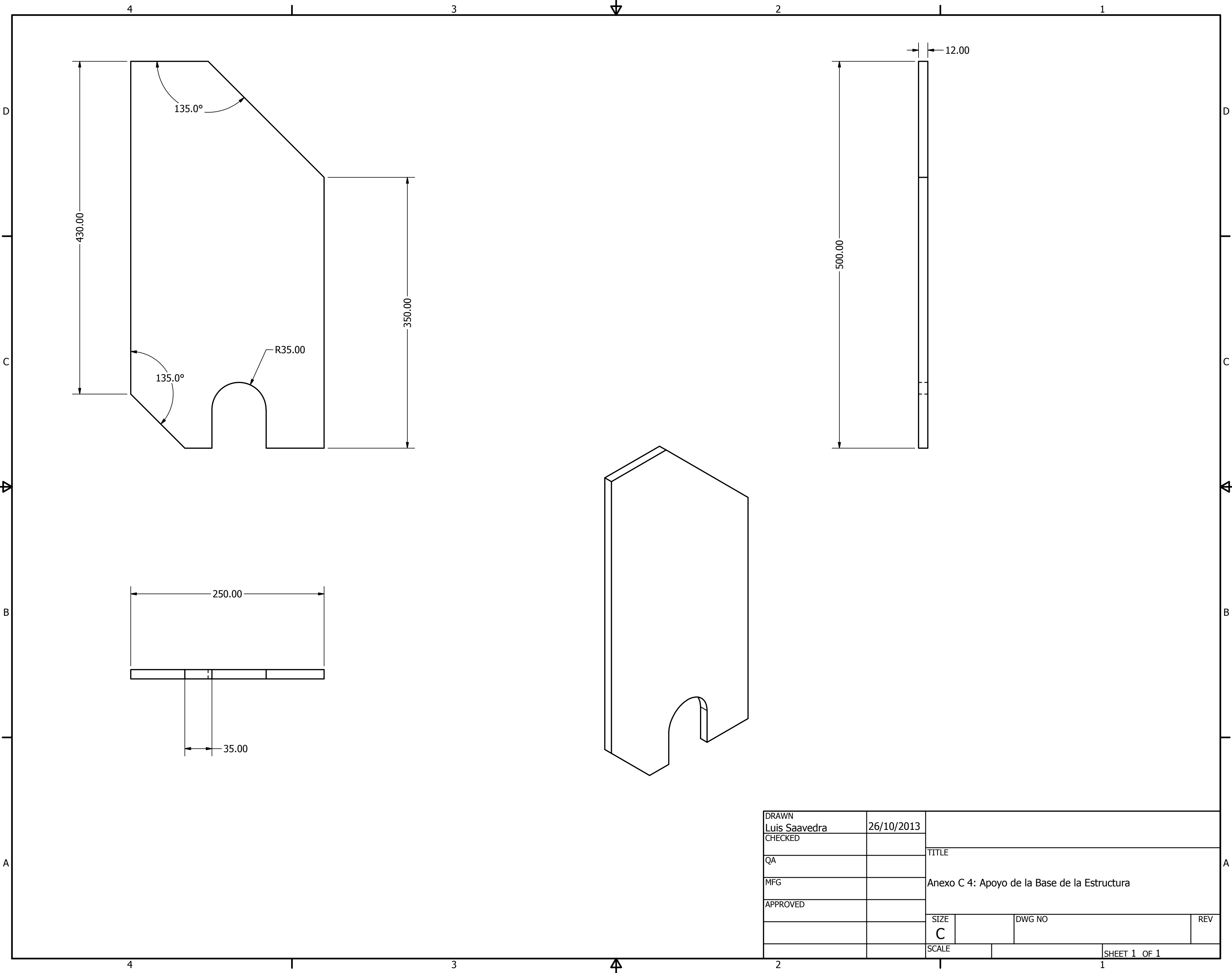
Ø12.70 Pasante



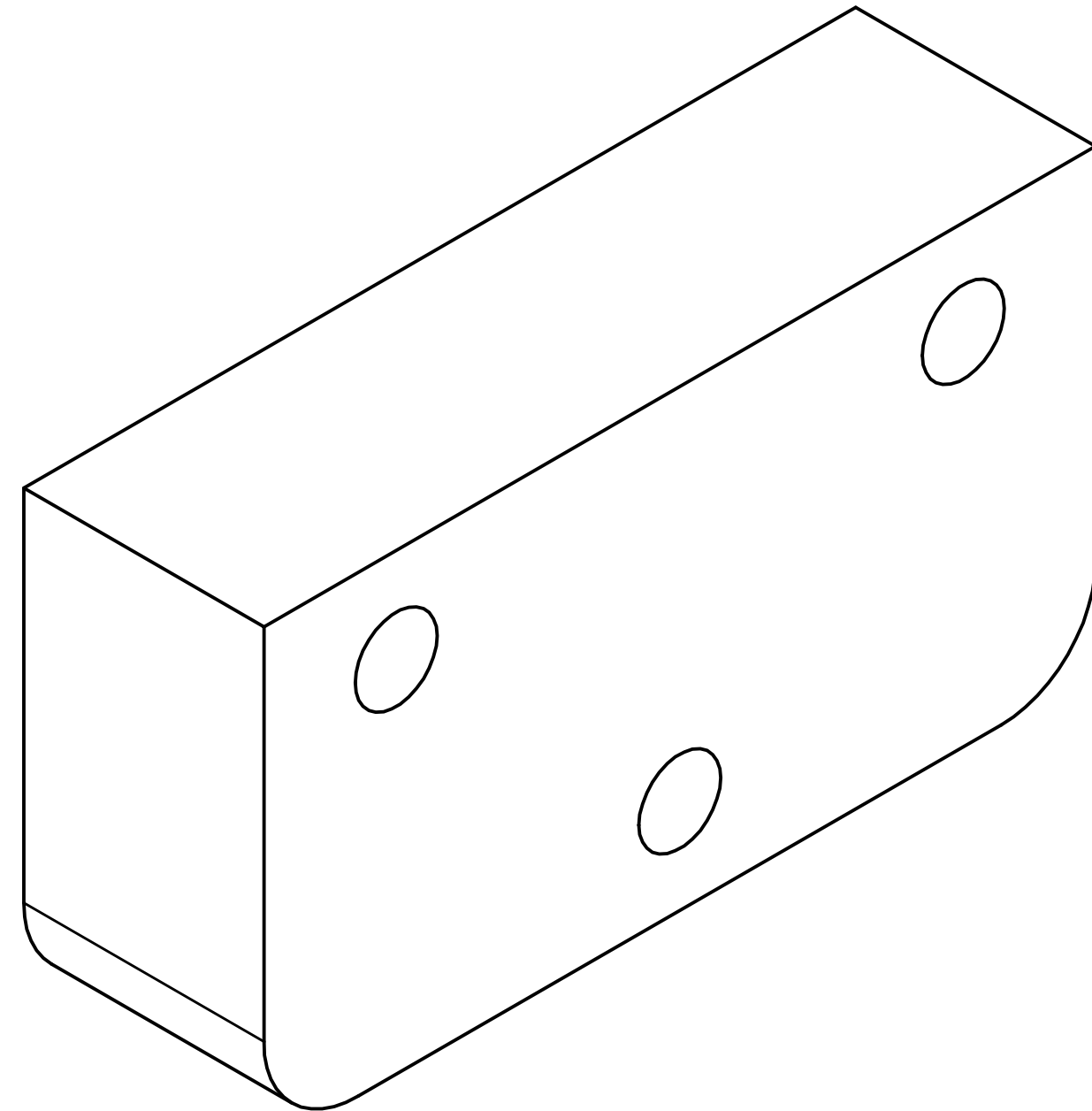
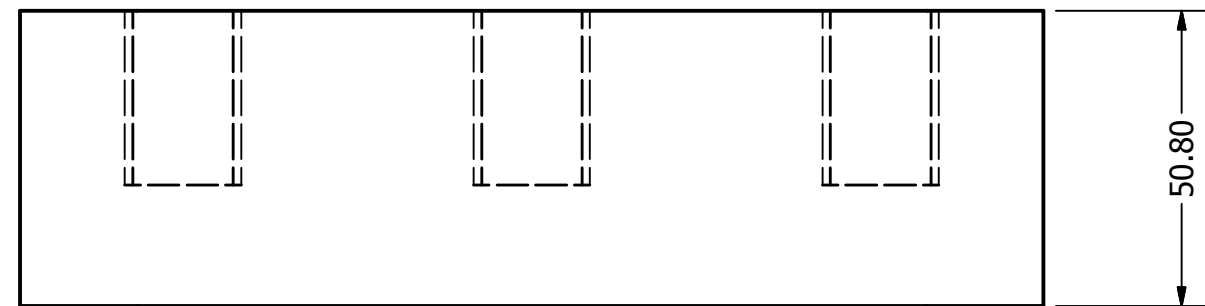
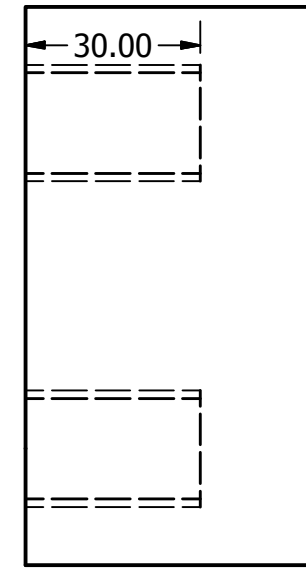
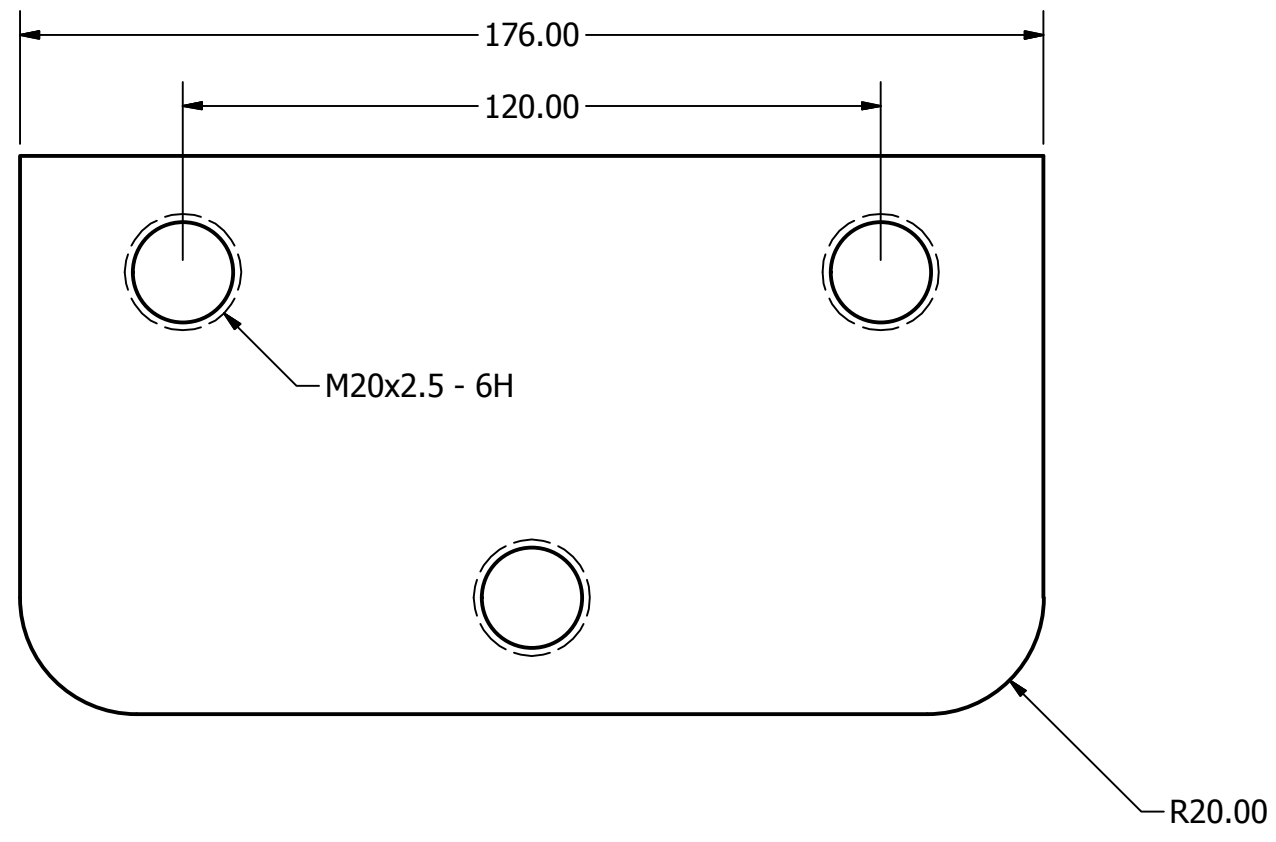
DRAWN Luis Saavedra	21/06/2013	TITLE		
CHECKED		Anexo C 9: Parte Externa del Carro de Transporte		
QA		SIZE C	DWG NO	REV
MFG		SCALE	SHEET 1 OF 1	
APPROVED				



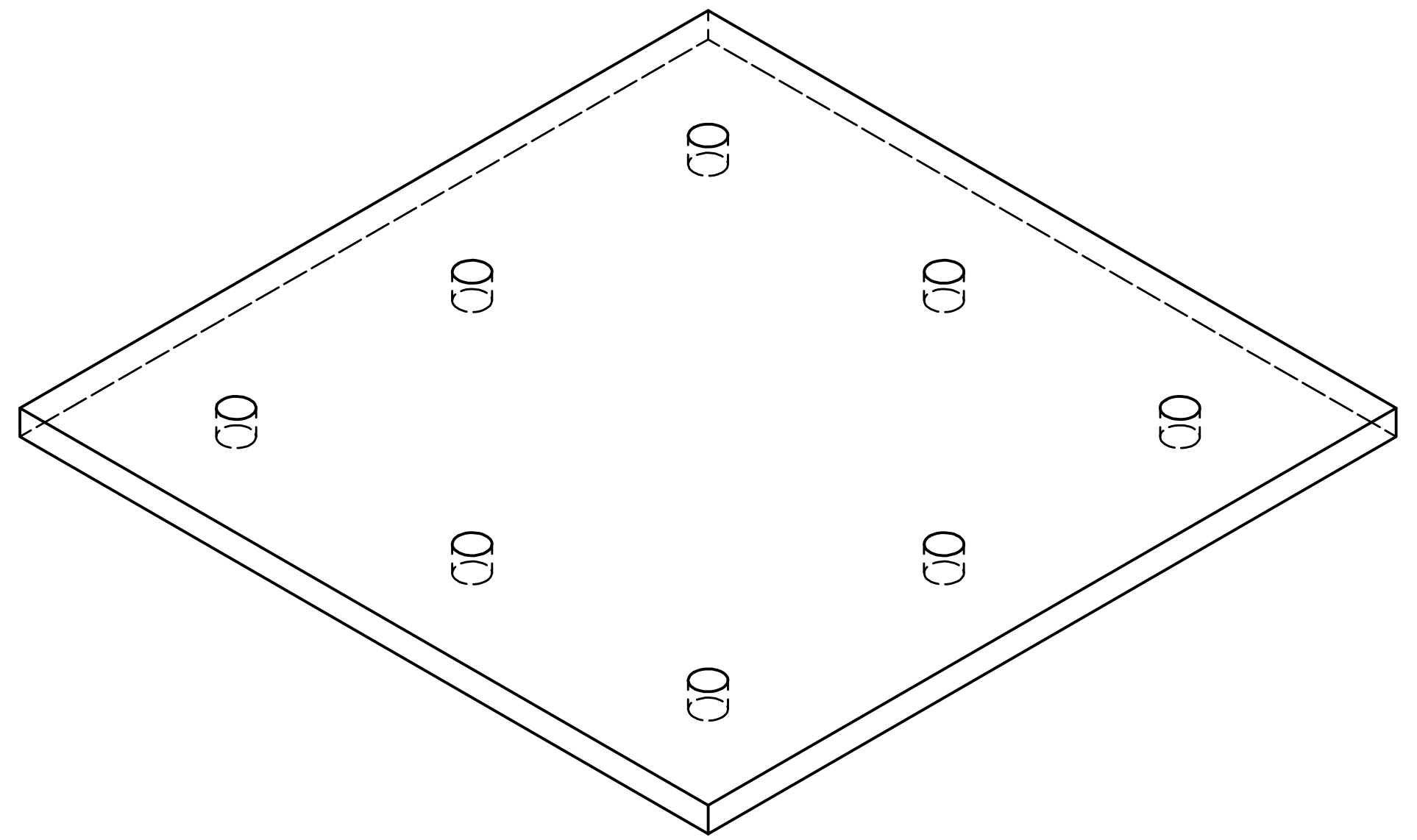
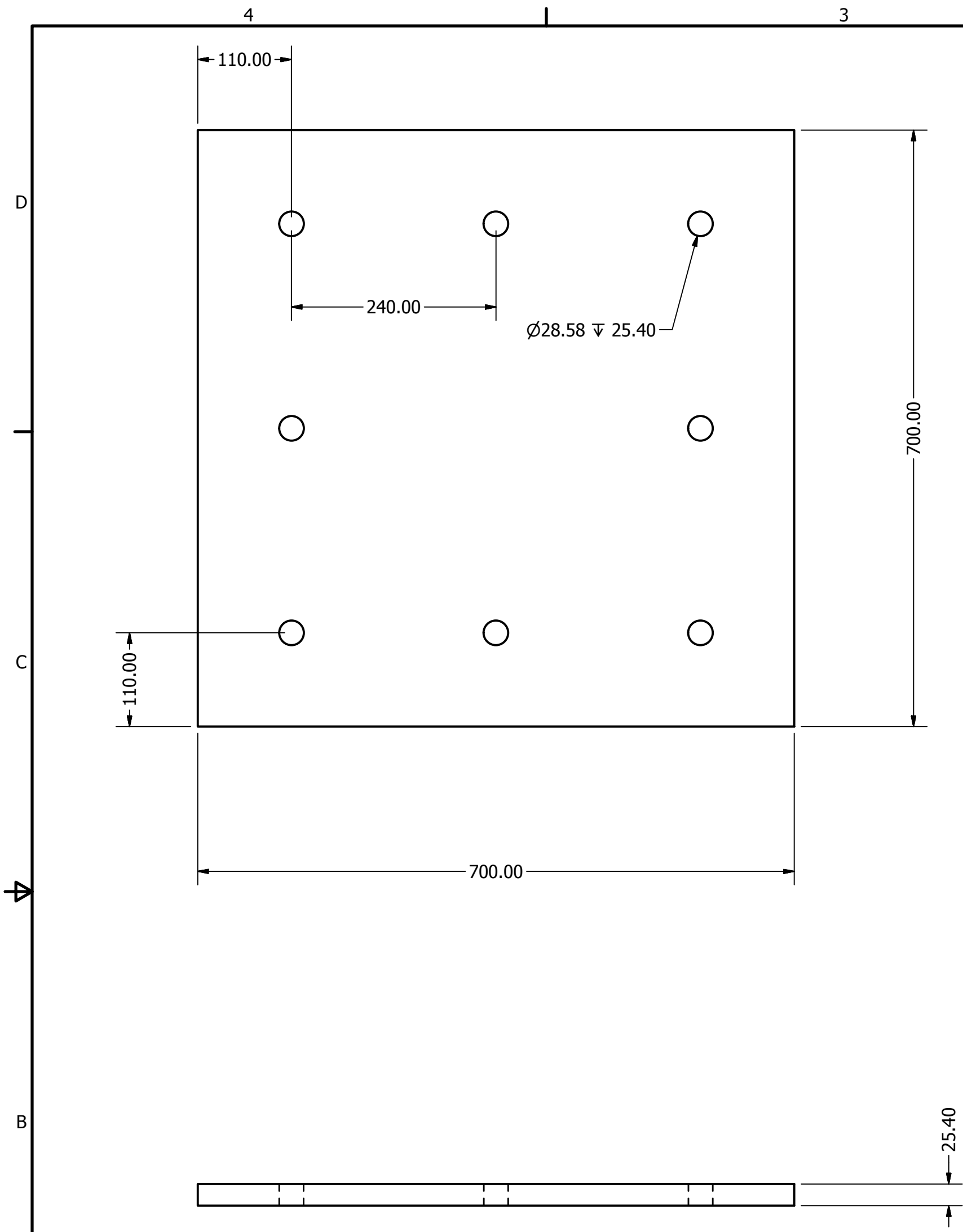
DRAWN	Luis Saavedra	21/06/2013		
CHECKED			TITLE	
QA			Anexo C 8: Parte Interna del Carro de Transporte	
MFG			SIZE	DWG NO
APPROVED			C	
			SCALE	REV
				SHEET 1 OF 1



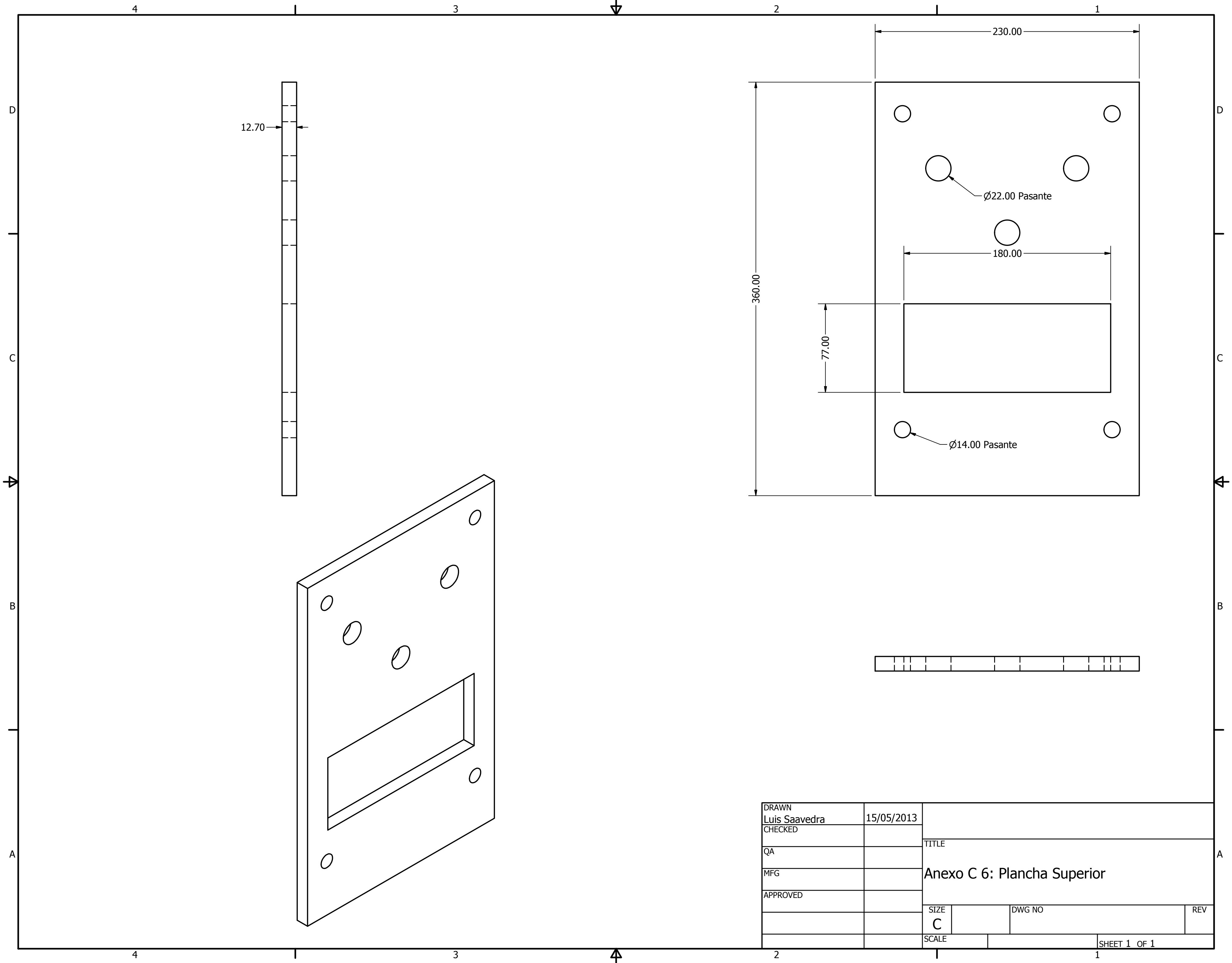
DRAWN	Luis Saavedra	26/10/2013		
CHECKED			TITLE	
QA			Anexo C 4: Apoyo de la Base de la Estructura	
MFG			SIZE	DWG NO
APPROVED			C	
			SCALE	SHEET 1 OF 1
				REV



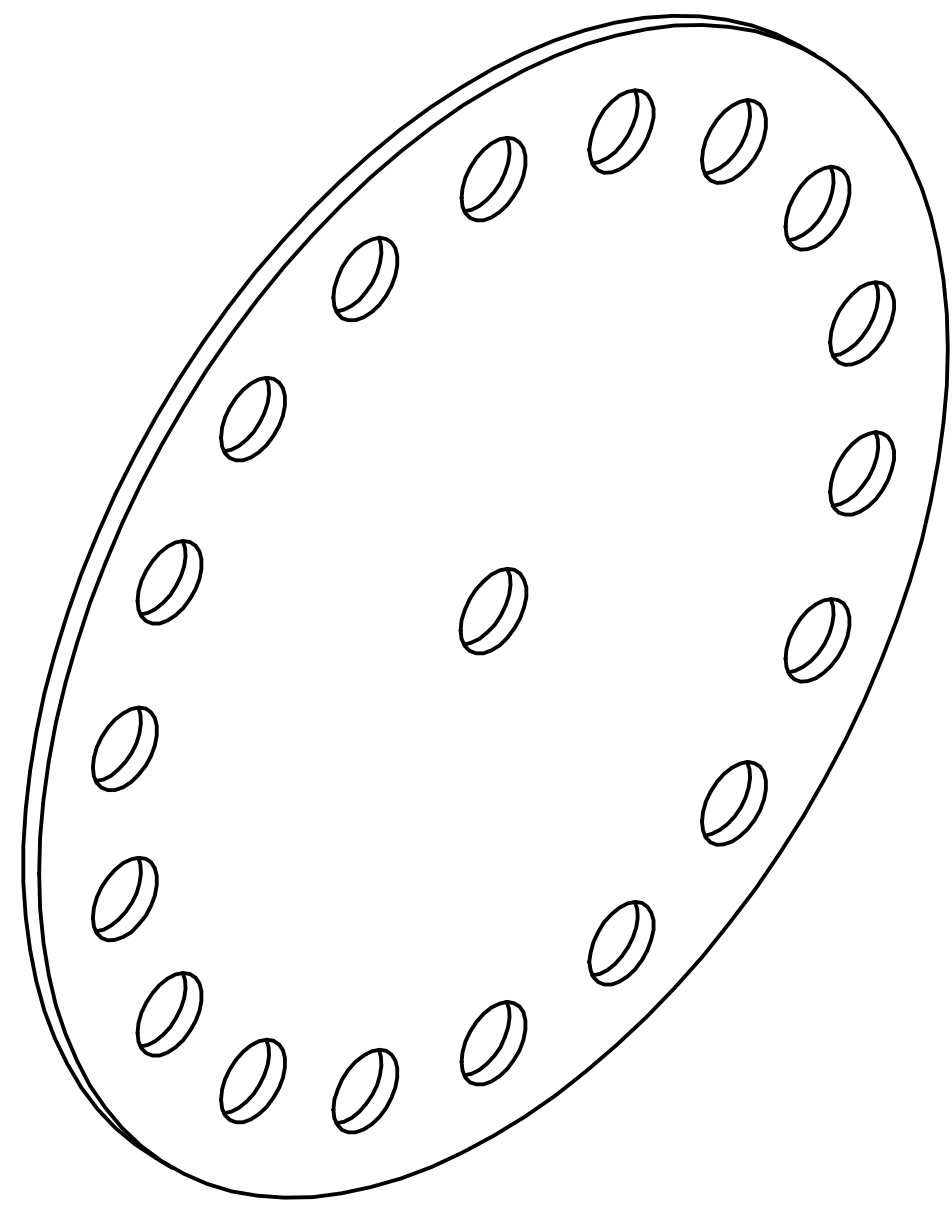
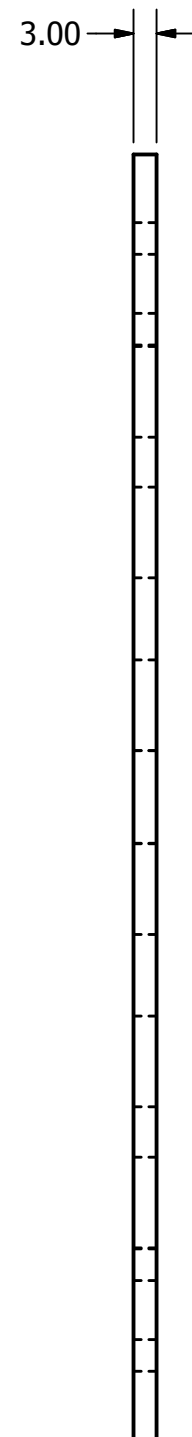
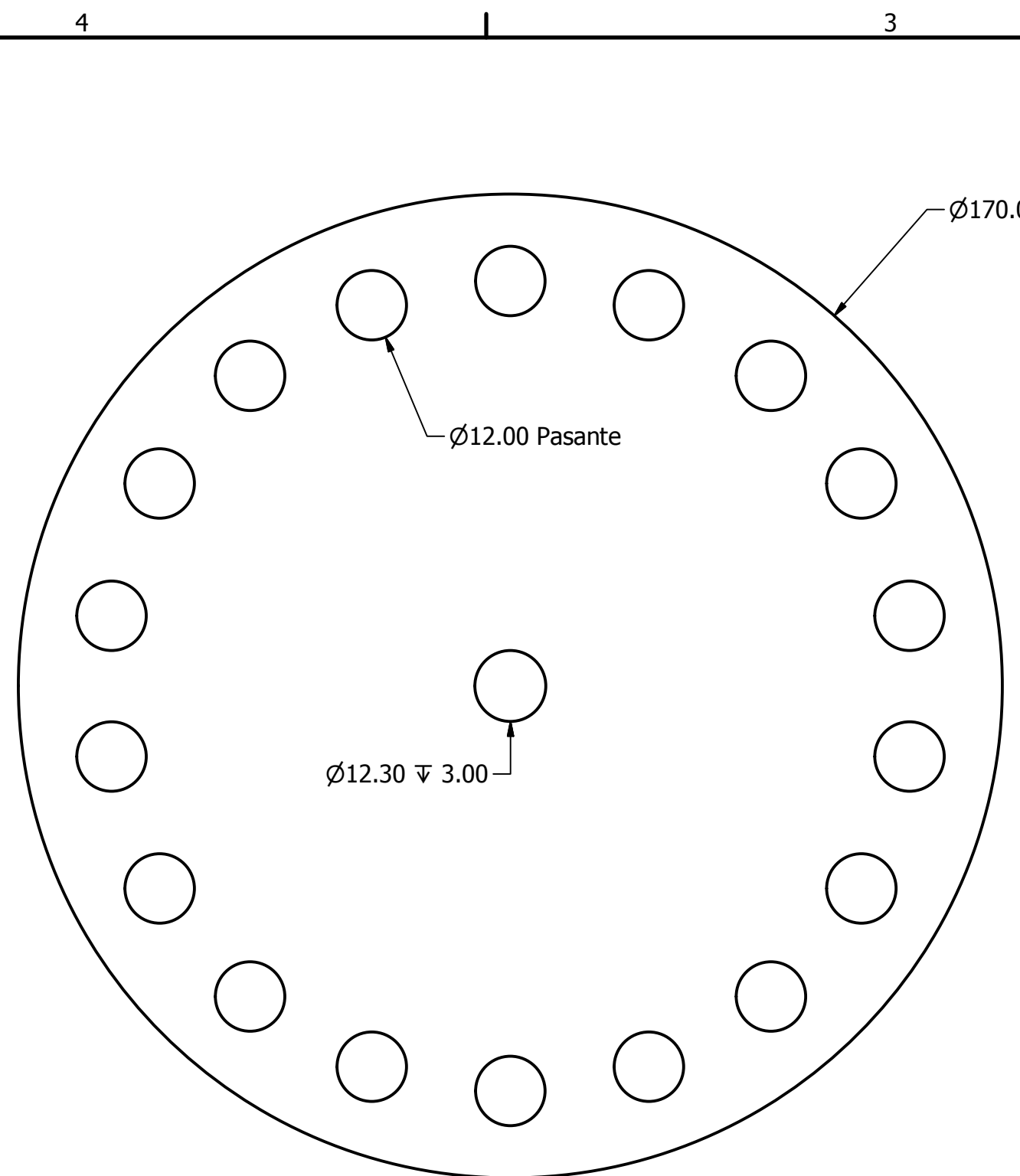
DRAWN	Luis Saavedra	26/10/2013		
CHECKED			TITLE	
QA			Anexo C 7: Pieza Acople Plancha Superior	
MFG			SIZE	DWG NO
APPROVED			C	REV
			SCALE	SHEET 1 OF 1



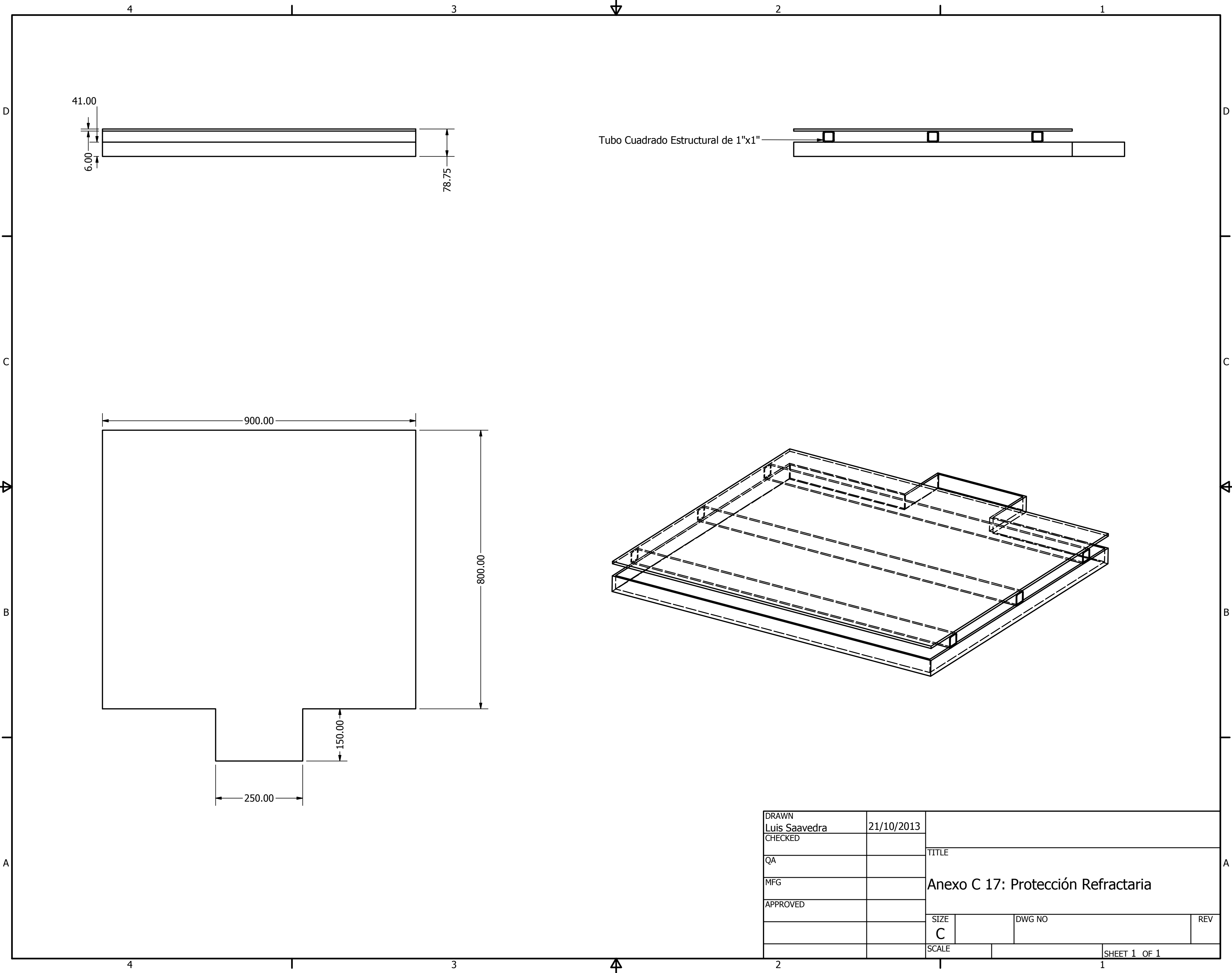
DRAWN Luis Saavedra	02/08/2013	TITLE		
CHECKED		Anexo C 14: Plancha Base Superior		
QA		SIZE C	DWG NO	REV
MFG				
APPROVED				
		SCALE	SHEET 1 OF 1	



DRAWN	Luis Saavedra	15/05/2013	TITLE	
CHECKED			Anexo C 6: Plancha Superior	
QA			SIZE	DWG NO
MFG			C	
APPROVED			SCALE	REV
				SHEET 1 OF 1

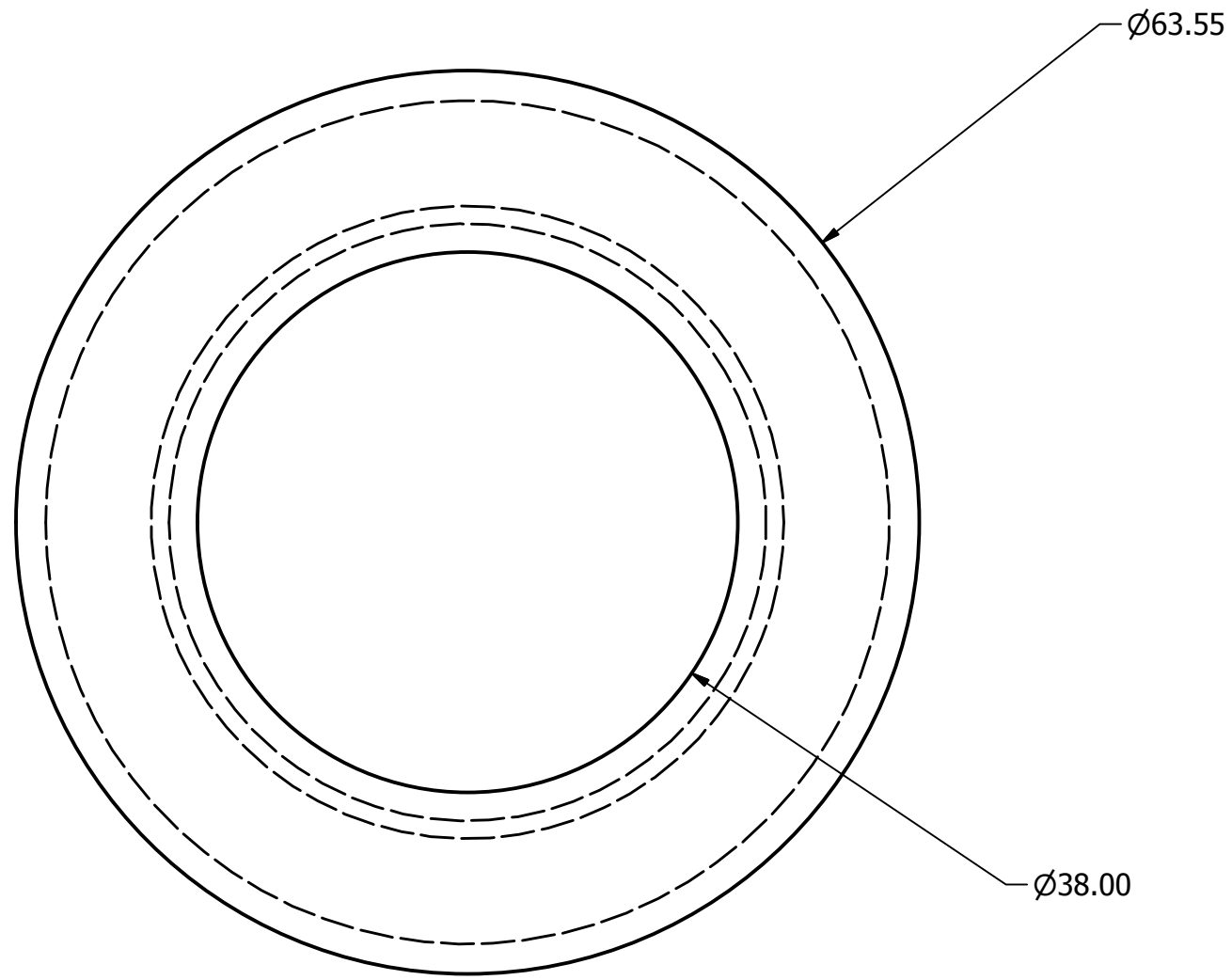
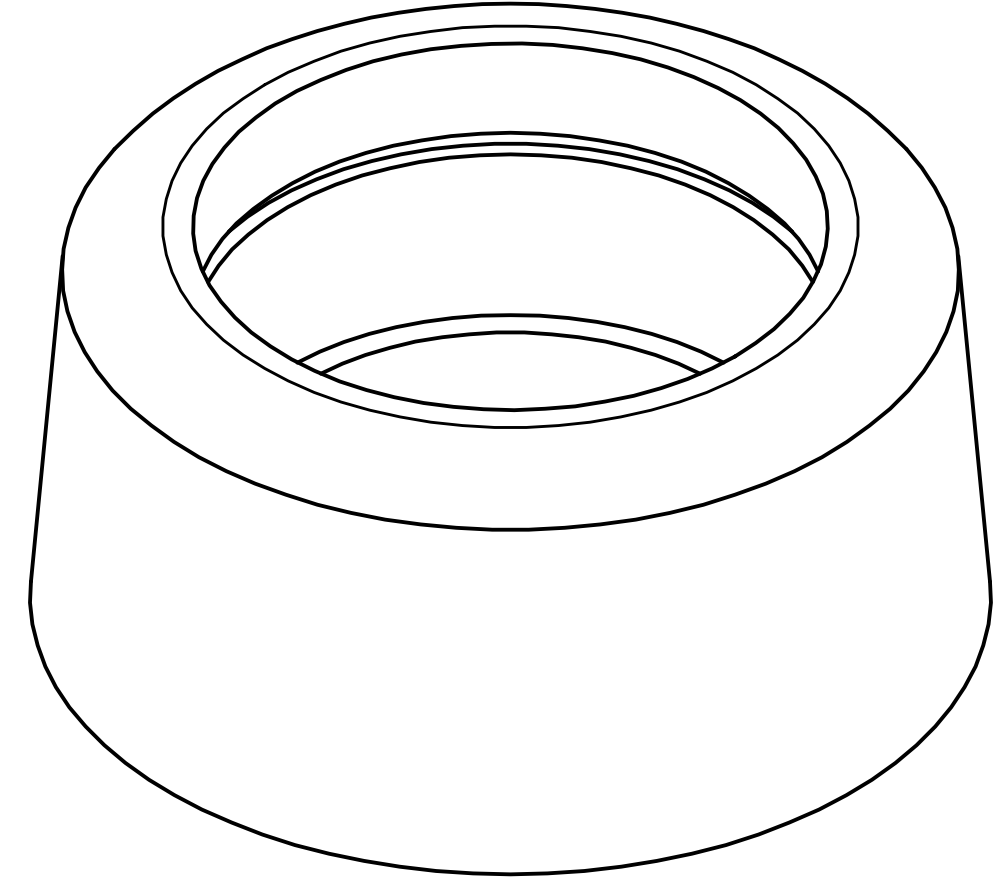
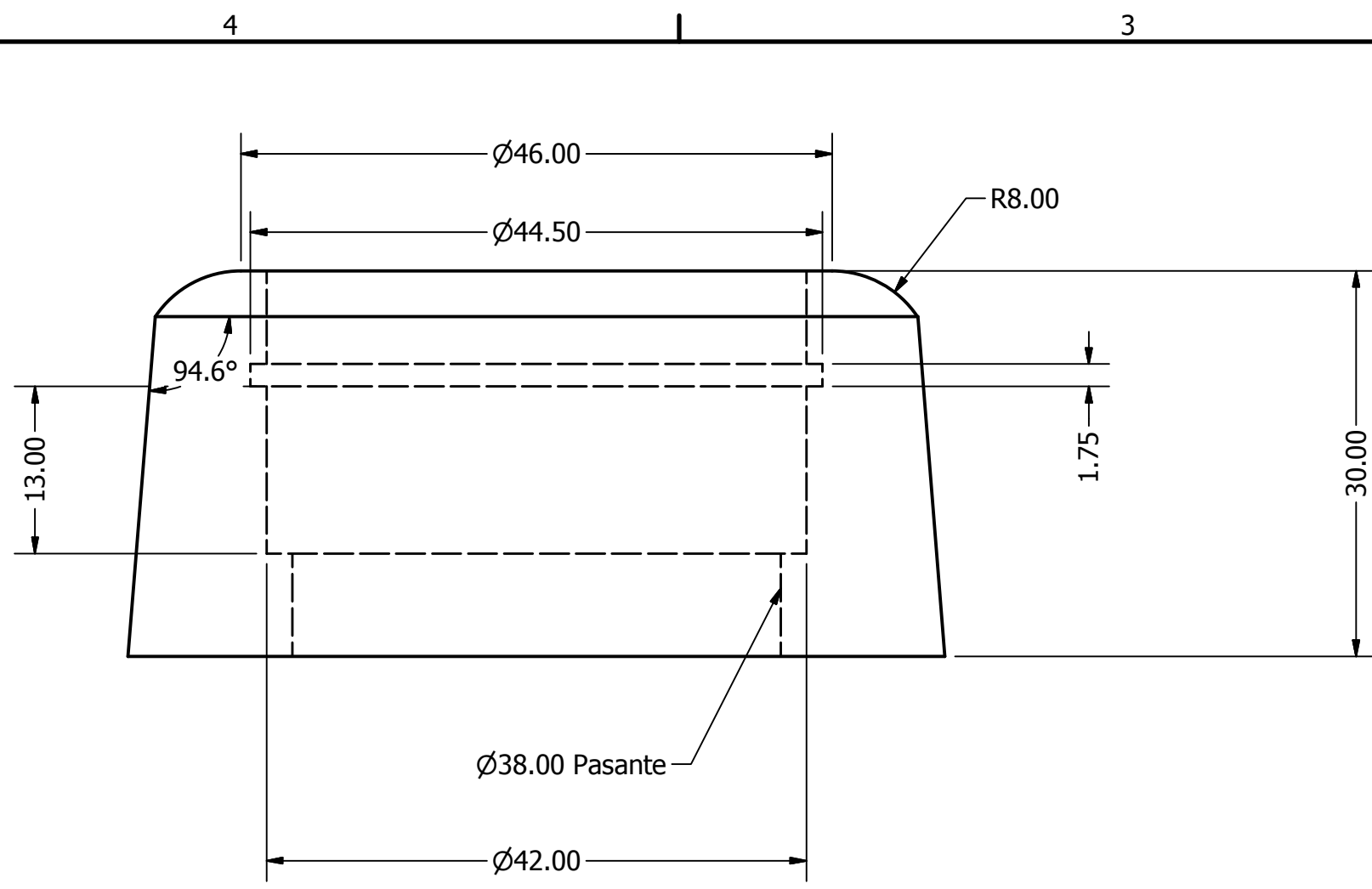


DRAWN	Luis Saavedra	27/10/2013		
CHECKED			TITLE	
QA			Anexo C 18: Plato de Medición	
MFG			SIZE	DWG NO
APPROVED			C	
			SCALE	REV
				SHEET 1 OF 1

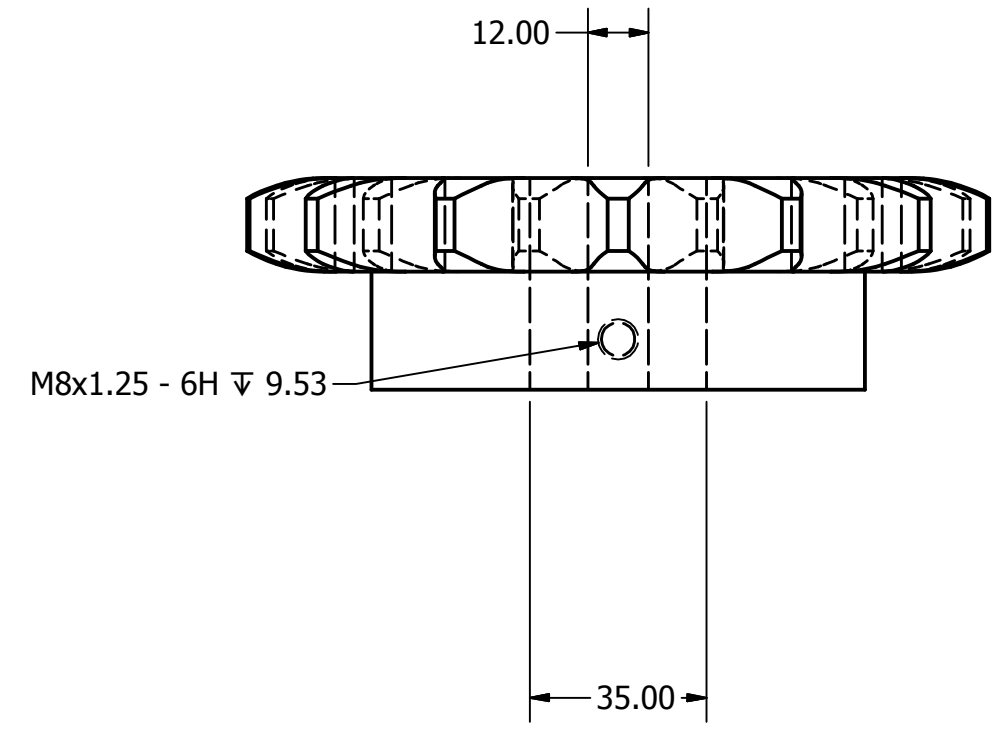
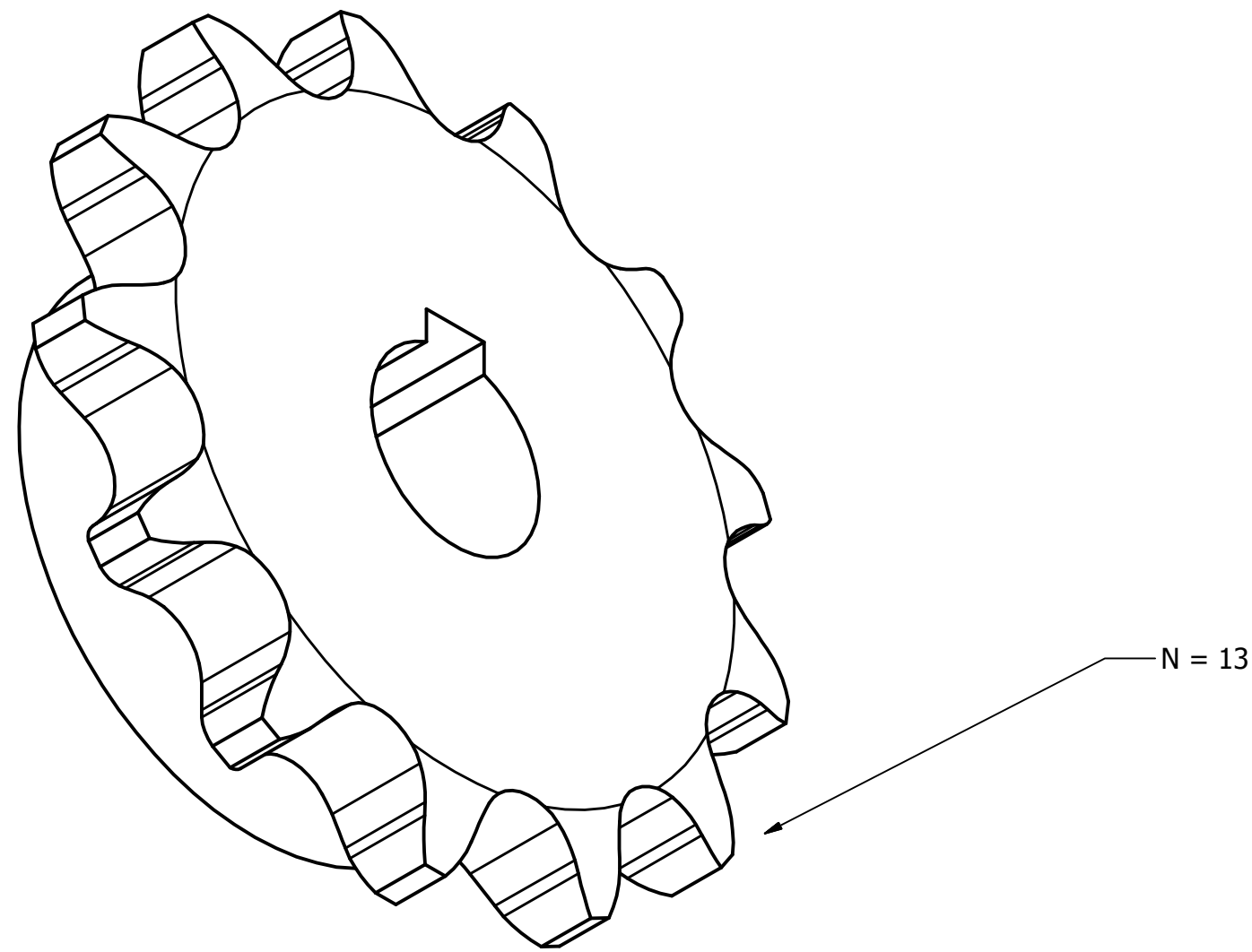
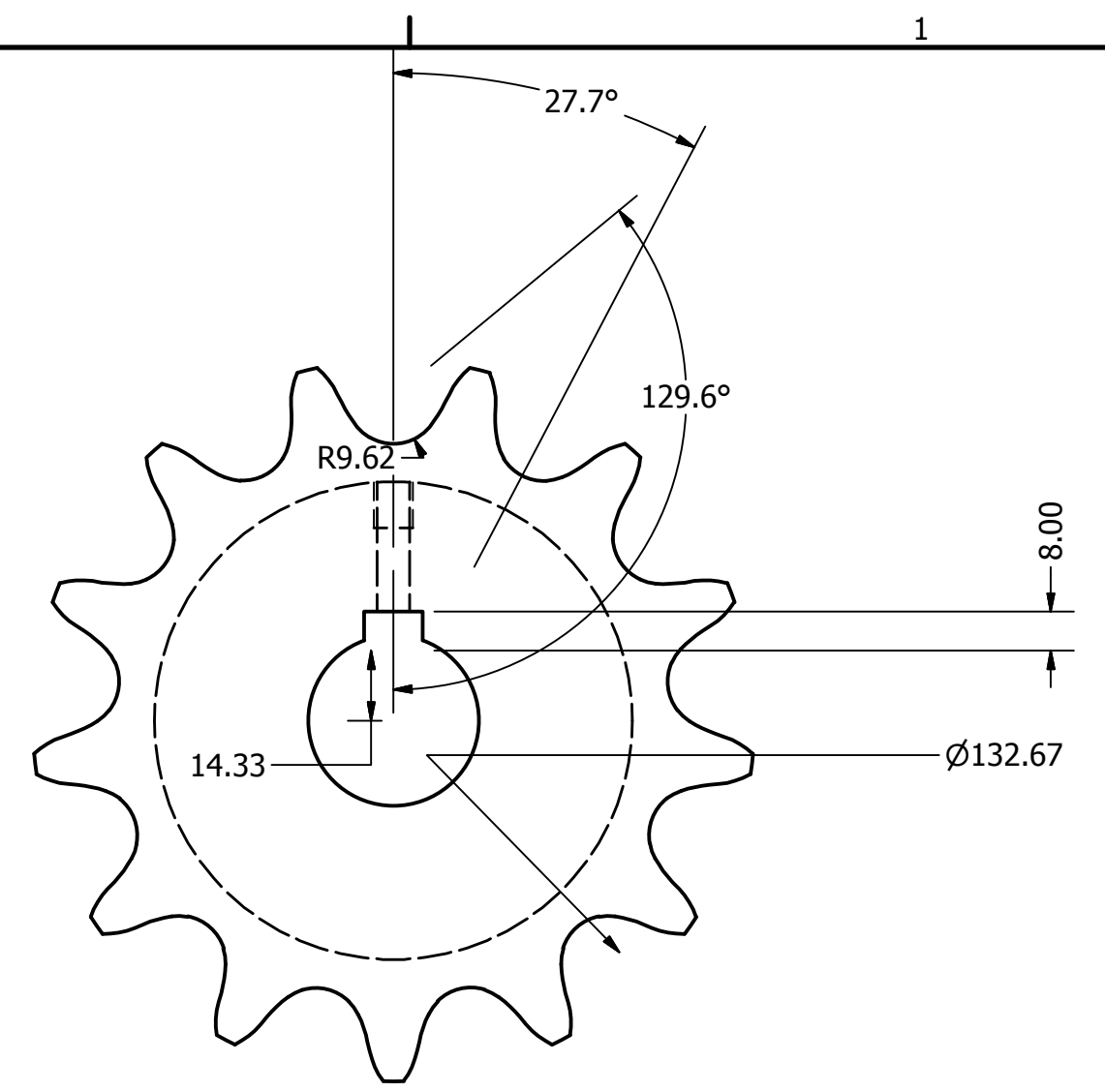
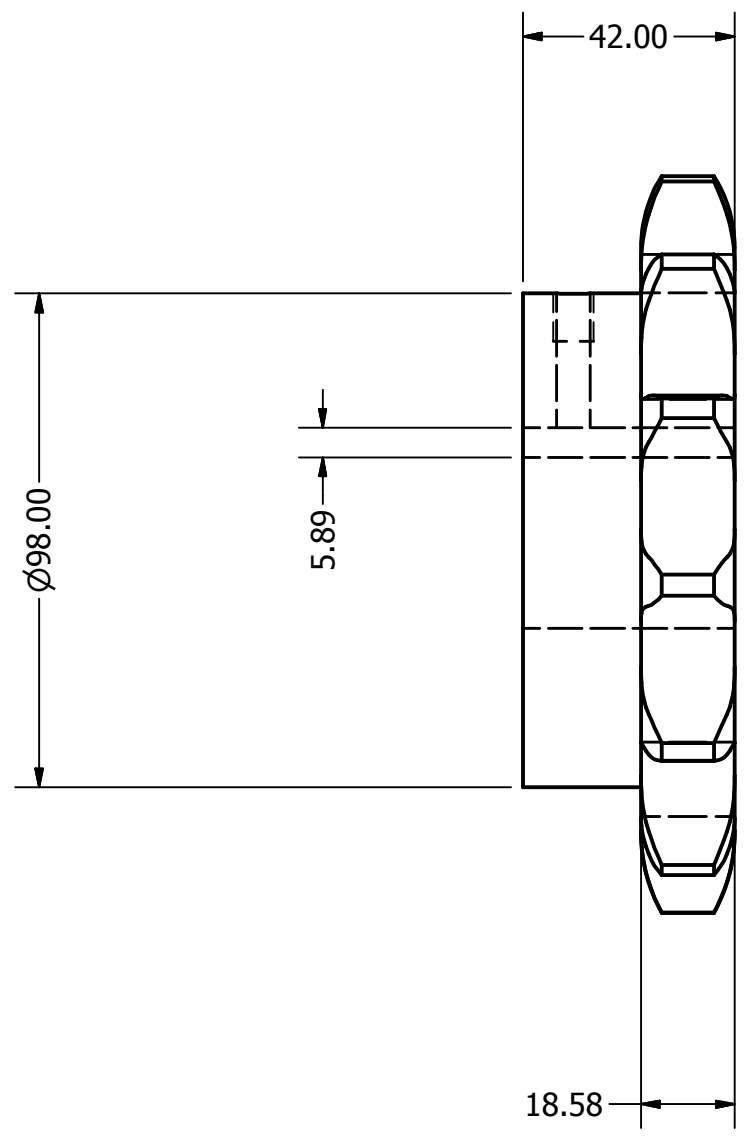


Tubo Cuadrado Estructural de 1"x1"

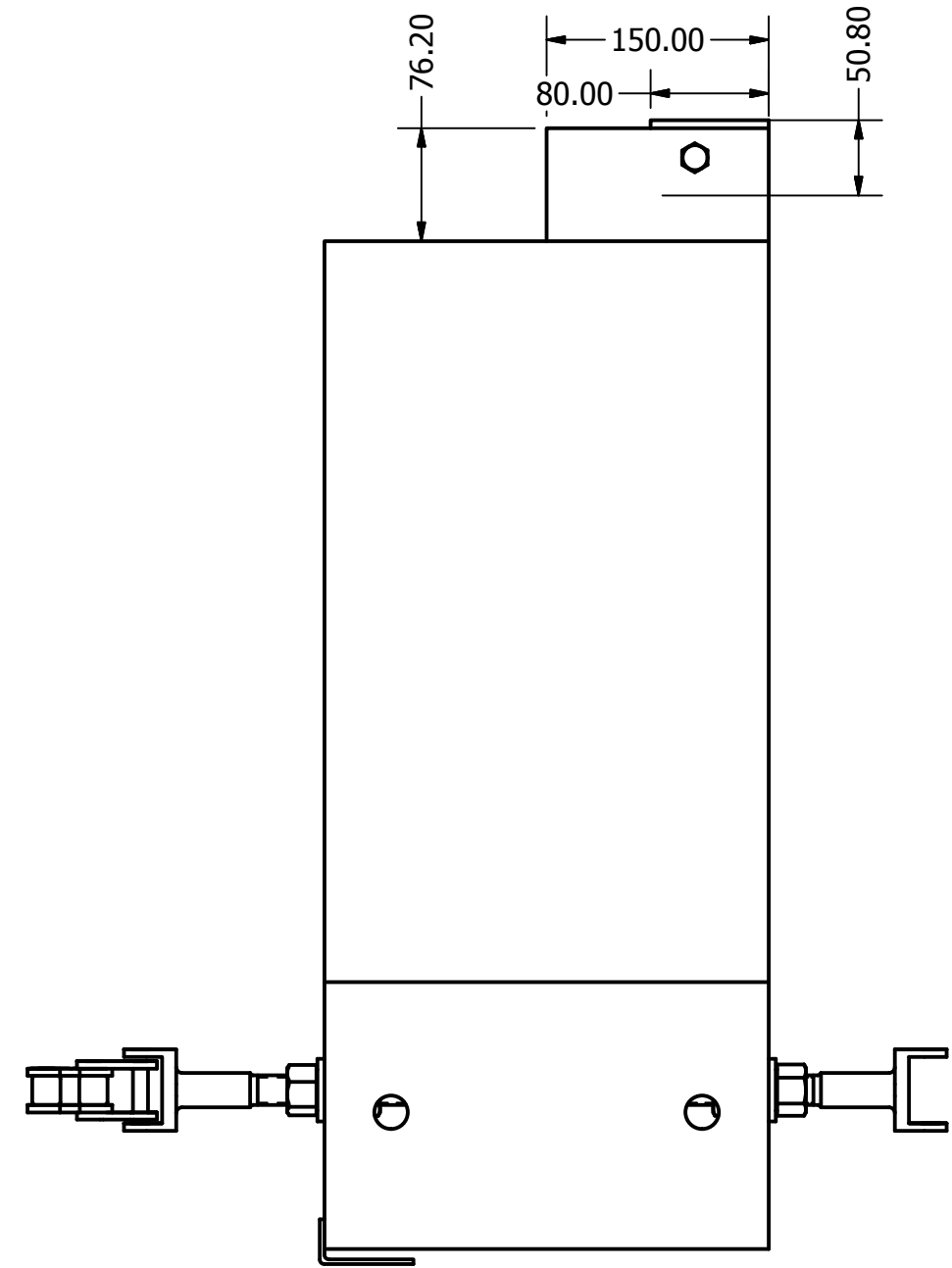
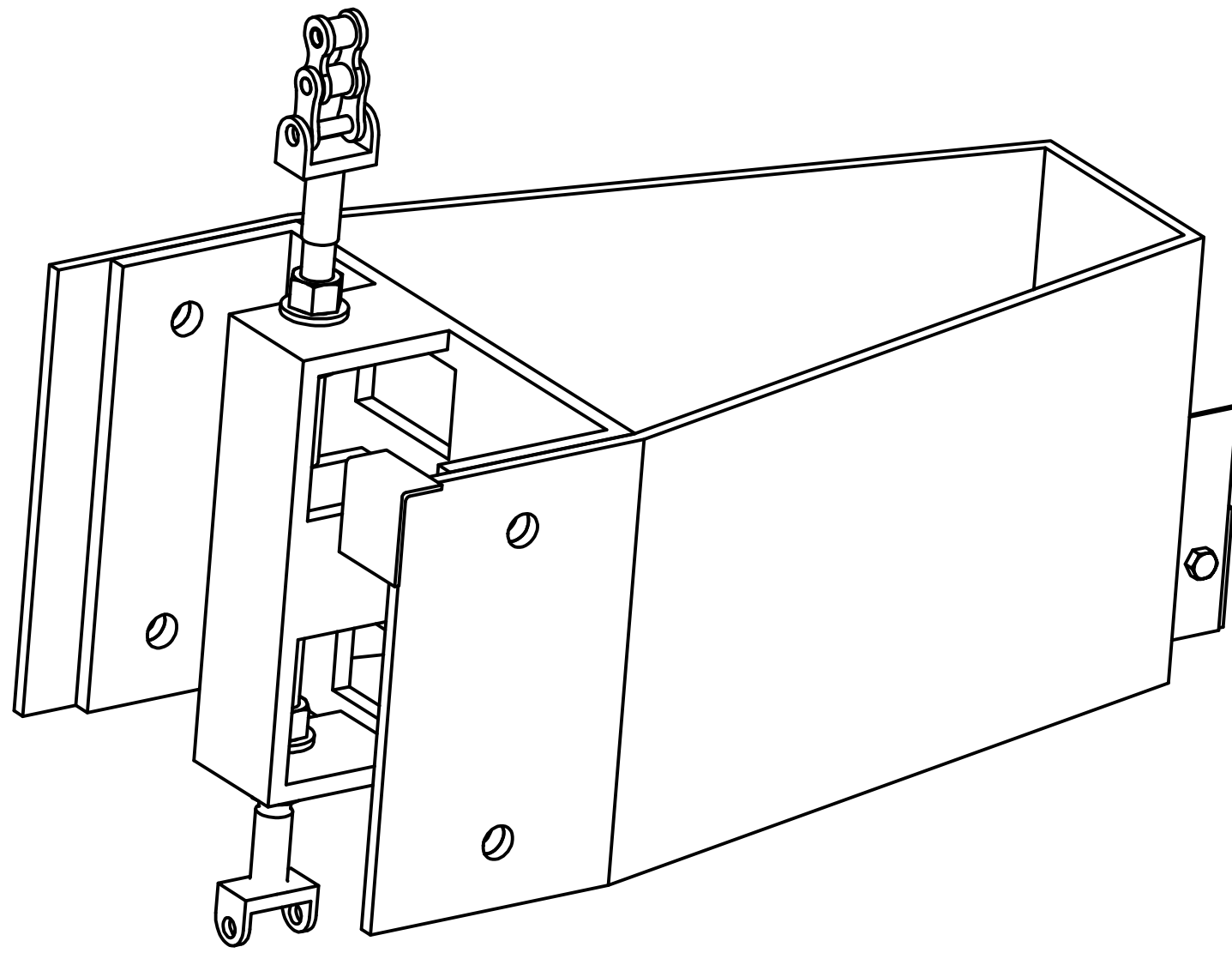
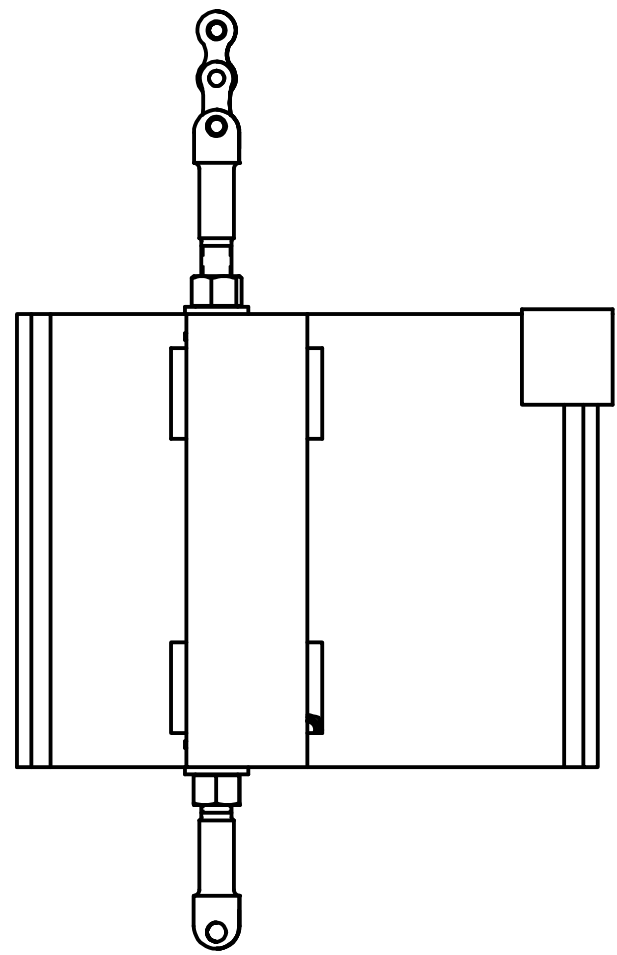
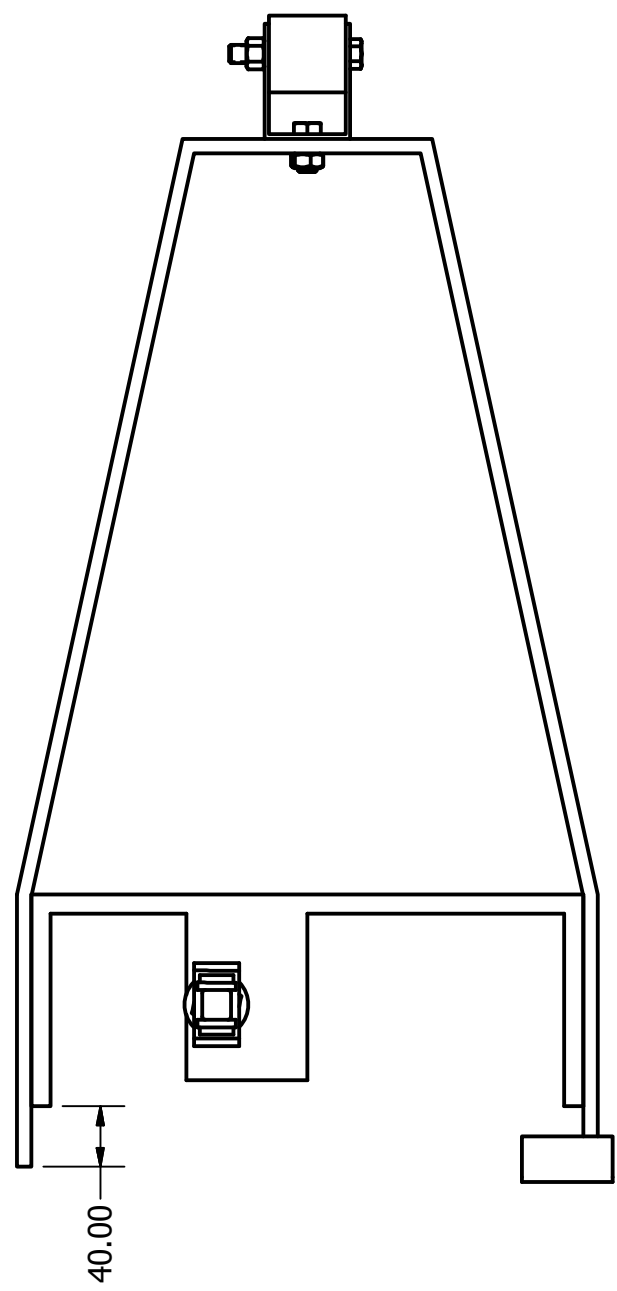
DRAWN	Luis Saavedra	21/10/2013		
CHECKED			TITLE	
QA			Anexo C 17: Protección Refractaria	
MFG			SIZE	DWG NO
APPROVED			C	
			SCALE	REV
				SHEET 1 OF 1



DRAWN Luis Saavedra	24/05/2013			
CHECKED		TITLE		
QA		Anexo C 12: Rueda Guía		
MFG				
APPROVED				
PESO 0,370 kg		SIZE C	DWG NO	REV
		SCALE	SHEET 1 OF 1	



DRAWN	Luis Saavedra	15/05/2013		
CHECKED			TITLE	
QA			Anexo C 1 : Rueda Dentada	
MFG			Motriz y Conducida	
APPROVED			SIZE	DWG NO
			C	
			SCALE	REV
			SHEET 1 OF 1	



DRAWN	Luis Saavedra	21/06/2013		
CHECKED			TITLE	
QA			Anexo C 10: Ensamblaje Carro de Transporte	
MFG			SIZE	DWG NO
APPROVED			C	
			SCALE	REV
				SHEET 1 OF 1